

Actual Product Size Shown



### Product Features

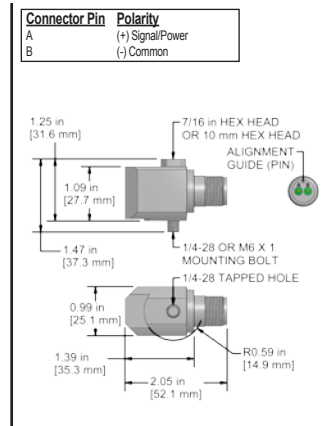
**High Performance Side Exit Sensor for Demanding Applications**

**High g Dynamic Range with Excellent Frequency Response**

- Higher Dynamic Range
- Bias Stability at Temperature
- Improved RF Immunity

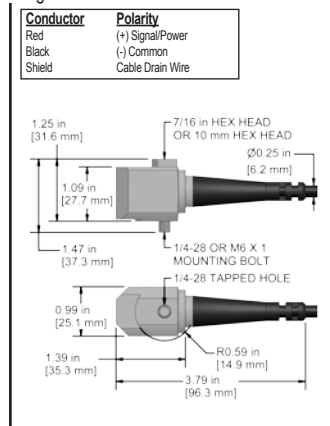
#### AC211-1D

2 Pin Connector



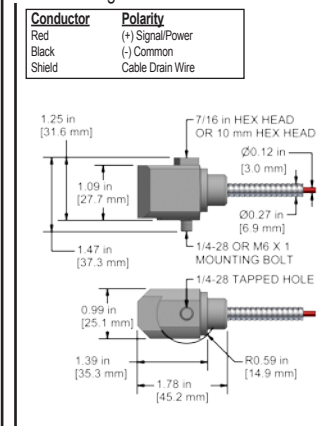
#### AC211-2D

Integral Cable



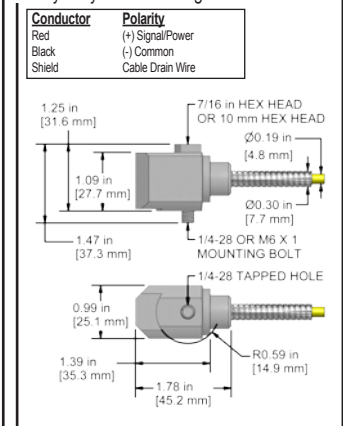
#### AC211-3D

Armored Integral Cable



#### AC211-6D

Heavy Duty Armored Integral Cable



| Specifications              | Standard             | Metric       |
|-----------------------------|----------------------|--------------|
| Part Number                 | AC211                | M/AC211      |
| Sensitivity (±5%)           | 100 mV/g             |              |
| Frequency Response (±3dB)   | 30-600,000 CPM       | 0.5-10000 Hz |
| Frequency Response (±10%)   | 60-240,000 CPM       | 1,0-4000 Hz  |
| Frequency Response (±5%)    | 120-180,000 CPM      | 2,0-3000 Hz  |
| Dynamic Range               | ± 80 g, peak         |              |
| Compliances                 | CE                   |              |
| <b>Electrical</b>           |                      |              |
| Settling Time               | <2.5 seconds         |              |
| Voltage Source (IEPE)       | 18-30 VDC            |              |
| Constant Current Excitation | 2-10 mA              |              |
| Spectral Noise @ 10 Hz      | 14 µg/√Hz            |              |
| Spectral Noise @ 100 Hz     | 2.3 µg/√Hz           |              |
| Spectral Noise @ 1000 Hz    | 2 µg/√Hz             |              |
| Output Impedance            | <100 ohm             |              |
| Bias Output Voltage         | 10-14 VDC            |              |
| Case Isolation              | >10 <sup>8</sup> ohm |              |

| Specifications                  | Standard             | Metric            |
|---------------------------------|----------------------|-------------------|
| <b>Environmental</b>            |                      |                   |
| Temperature Range               | -58 to 250°F         | -50 to 121°C      |
| Maximum Shock Protection        | 5,000 g, peak        |                   |
| Electromagnetic Sensitivity     | CE                   |                   |
| Sealing                         | IP68                 |                   |
| Submersible Depth (AC211-2D/3D) | 200 ft.              | 60 m              |
| <b>Physical</b>                 |                      |                   |
| Sensing Element                 | PZT Ceramic          |                   |
| Sensing Structure               | Shear Mode           |                   |
| Weight                          | 5.1 oz               | 145 grams         |
| Case Material                   | 316L Stainless Steel |                   |
| Mounting                        | 1/4-28               |                   |
| Connector (non-integral)        | 2 Pin MIL-C-5015     |                   |
| Resonant Frequency              | 1,320,000 CPM        | 22000 Hz          |
| Mounting Torque                 | 2 to 5 ft. lbs.      | 2,7 to 6,8 Nm     |
| Mounting Hardware               | 1/4-28 Captive Bolt  | M6x1 Captive Bolt |
| Calibration Certificate         | CA10                 |                   |

### Ordering Information

| Standard | AC211-1D<br>(1/4-28 Captive Bolt) | AC211-2D - /<br>(1/4-28 Captive Bolt) | AC211-3D - /<br>(1/4-28 Captive Bolt) | AC211-6D - /<br>(1/4-28 Captive Bolt) |
|----------|-----------------------------------|---------------------------------------|---------------------------------------|---------------------------------------|
|          |                                   |                                       |                                       |                                       |
| Metric   | M/AC211-1D<br>(M6x1 Captive Bolt) | M/AC211-2D - /<br>(M6x1 Captive Bolt) | M/AC211-3D - /<br>(M6x1 Captive Bolt) | M/AC211-6D - /<br>(M6x1 Captive Bolt) |
|          |                                   |                                       |                                       |                                       |

Cable Termination Options: **E** **F** **L** **Z**

