

AC192 Series

Compact, Multi-Purpose Accelerometer, Top Exit Connector/Cable, 100 mV/g



VIBRATION ANALYSIS HARDWARE

REGULATORY APPROVALS



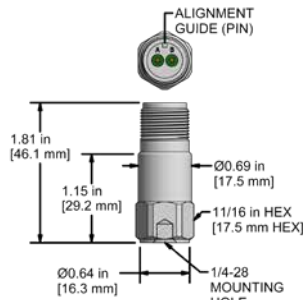
PRODUCT FEATURES

High Performance in an Affordable, Compact Sensor

Very Low Noise & Superior RF Immunity

AC192-1D 2 Pin Connector

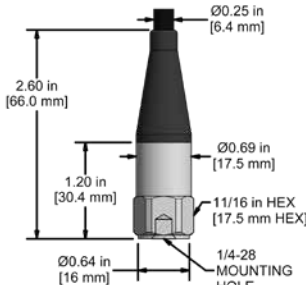
Connector Pin	Polarity
A	(+) Signal / Power
B	(-) Common



STOCK PRODUCT

AC192-2D Integral Cable

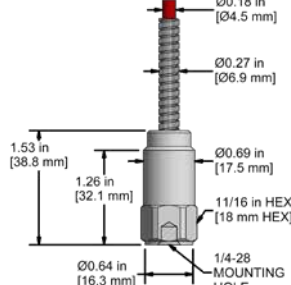
Conductor	Polarity
Red	(+) Signal / Power
Black	(-) Common
Shield	Cable Drain Wire



BUILD TO ORDER

AC192-3D Armored Integral Cable

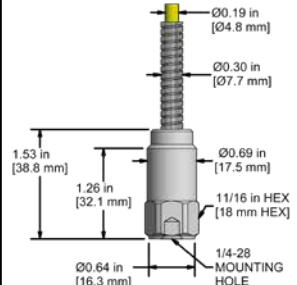
Conductor	Polarity
Red	(+) Signal / Power
Black	(-) Common
Shield	Cable Drain Wire



BUILD TO ORDER

AC192-6D Heavy Duty Armored Integral Cable

Conductor	Polarity
Red	(+) Signal / Power
Black	(-) Common
Shield	Cable Drain Wire



BUILD TO ORDER

Specifications	Standard	Metric
Part Number	AC192	M/AC192
Vibration		
Sensitivity ($\pm 10\%$)	100 mV/g	
Frequency Response (± 3 dB)	24 CPM to 780 kCPM	0.4 Hz to 13 kHz
Frequency Response ($\pm 10\%$)	60 CPM to 540 kCPM	1 Hz to 9 kHz
Dynamic Range	± 80 g, peak	
Electrical		
Settling Time	< 2 seconds	
Voltage Source (IEPE)	18 Vdc to 30 Vdc	
Constant Current Excitation	2 mA to 10 mA	
Spectral Noise @ 10 Hz	8 μ g/ \sqrt Hz	
Spectral Noise @ 100 Hz	4 μ g/ \sqrt Hz	
Spectral Noise @ 1 kHz	2 μ g/ \sqrt Hz	
Output Impedance	< 100 ohm	
Bias Output Voltage	10 Vdc to 14 Vdc	
Case Isolation	> 10 ⁸ ohm	

Specifications	Standard	Metric
Environmental		
Temperature Range	-58°F to 250°F	-50°C to 121°C
Maximum Shock Protection	5 kg, peak	
Electromagnetic Sensitivity	CE	
Sealing	Welded, Hermetic (IP68)	
Submersible Depth (AC192-2D/3D/6D)	200 ft	60 m
Physical		
Sensing Element	PZT Ceramic	
Sensing Structure	Shear Mode	
Weight	1.8 ounces	51 grams
Case Material	316L Stainless Steel	
Mounting	1/4-28	
Connector (non-integral)	2 Pin MIL-C-5015	
Resonant Frequency	1560 kCPM	26 kHz
Mounting Torque	2 ft-lb to 5 ft-lb	2.7 N·m to 6.8 N·m
Mounting Hardware	1/4-28 Stud	M6x1 Adapter Stud
Calibration Certificate	CA10	

TYPICAL FREQUENCY RESPONSE

