

# AC150 Series

Low Cost Accelerometer, Top Exit Connector/Cable, 100 mV/g

SECTION 1 - VIBRATION SENSORS  
Accelerometers



Actual Product Size Shown



## Product Features

**Low-Cost Accelerometer - Perfect for Permanent Mounting**

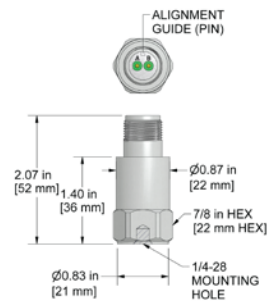
**Excellent Choice for budget Conscious Data Collection**

- $\pm 50$  g, Peak Dynamic Range
- Standard 2 Pin MIL Connection
- 1-10000 Hz (60-600,000 CPM) Frequency Response

### AC150-1A

2 Pin Connector

Connector Pin	Polarity
A	(+) Signal/Power
B	(-) Common



### AC150-2C

Integral Cable

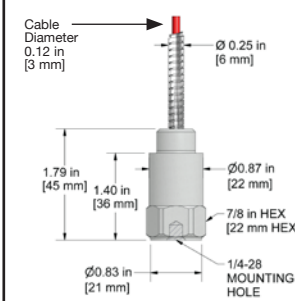
Conductor	Polarity
Red	(+) Signal/Power
Black	(-) Common
Shield	Cable Drain Wire



### AC150-3C

Armored Integral Cable

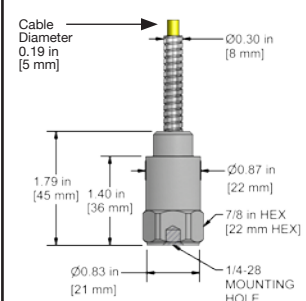
Conductor	Polarity
Red	(+) Signal/Power
Black	(-) Common
Shield	Cable Drain Wire



### AC150-6C

Heavy Duty Armored Integral Cable

Conductor	Polarity
Red	(+) Signal/Power
Black	(-) Common
Shield	Cable Drain Wire



Specifications	Standard	Metric
Part Number	AC150	M/AC150
Sensitivity ( $\pm 15\%$ )		100 mV/g
Frequency Response ( $\pm 3$ dB)	60-600,000 CPM	1,0-10000 Hz
Dynamic Range		$\pm 50$ g, peak
<b>Electrical</b>		
Settling Time		<2.5 seconds
Voltage Source (IEPE)		18-30 VDC
Constant Current Excitation		2-10 mA
Spectral Noise @ 10 Hz		14 $\mu$ g./Hz
Spectral Noise @ 100 Hz		2.3 $\mu$ g./Hz
Spectral Noise @ 1000 Hz		2 $\mu$ g./Hz
Output Impedance		<100 ohm
Bias Output Voltage		10-14 VDC
Case Isolation		>10 <sup>8</sup> ohm

Specifications	Standard	Metric
<b>Environmental</b>		
Temperature Range	-58 to 250°F	-50 to 121°C
Maximum Shock Protection		5,000 g, peak
Electromagnetic Sensitivity		CE
Sealing		IP68
Submersible Depth (AC150-2C/3C)	200 ft.	60 m
<b>Physical</b>		
Sensing Element		PZT Ceramic
Sensing Structure		Shear Mode
Weight	3.2 oz	90 grams
Case Material		316L Stainless Steel
Mounting		1/4-28
Connector (non-integral)		2 Pin MIL-C-5015
Resonant Frequency	1,380,000 CPM	23000 Hz
Mounting Torque	2 to 5 ft. lbs.	2,7 to 6,8 Nm
Mounting Hardware	1/4-28 Stud	M6x1 Adapter Stud
Calibration Certificate		CA10

## Ordering Information

Standard	AC150-1A (1/4-28 Stud)	AC150-2C - / (1/4-28 Stud)	AC150-3C - / (1/4-28 Stud)	AC150-6C - / (1/4-28 Stud)
		(length in feet) (termination)	(maximum armor length 100 ft.) (cable length in feet) (termination)	(maximum armor length 20 ft.) (cable length in feet) (termination)
Metric	M/AC150-1A (M6x1 Adapter Stud)	M/AC150-2C - / (M6x1 Adapter Stud)	M/AC150-3C - / (M6x1 Adapter Stud)	M/AC150-6C - / (M6x1 Adapter Stud)
		(length in meters) (termination)	(maximum armor length 30 m) (cable length in meters) (termination)	(maximum armor length 6 m) (cable length in meters) (termination)

Cable Termination Options: E F L Z



VIBRATION ANALYSIS HARDWARE

Backed by our Unconditional Lifetime Warranty