

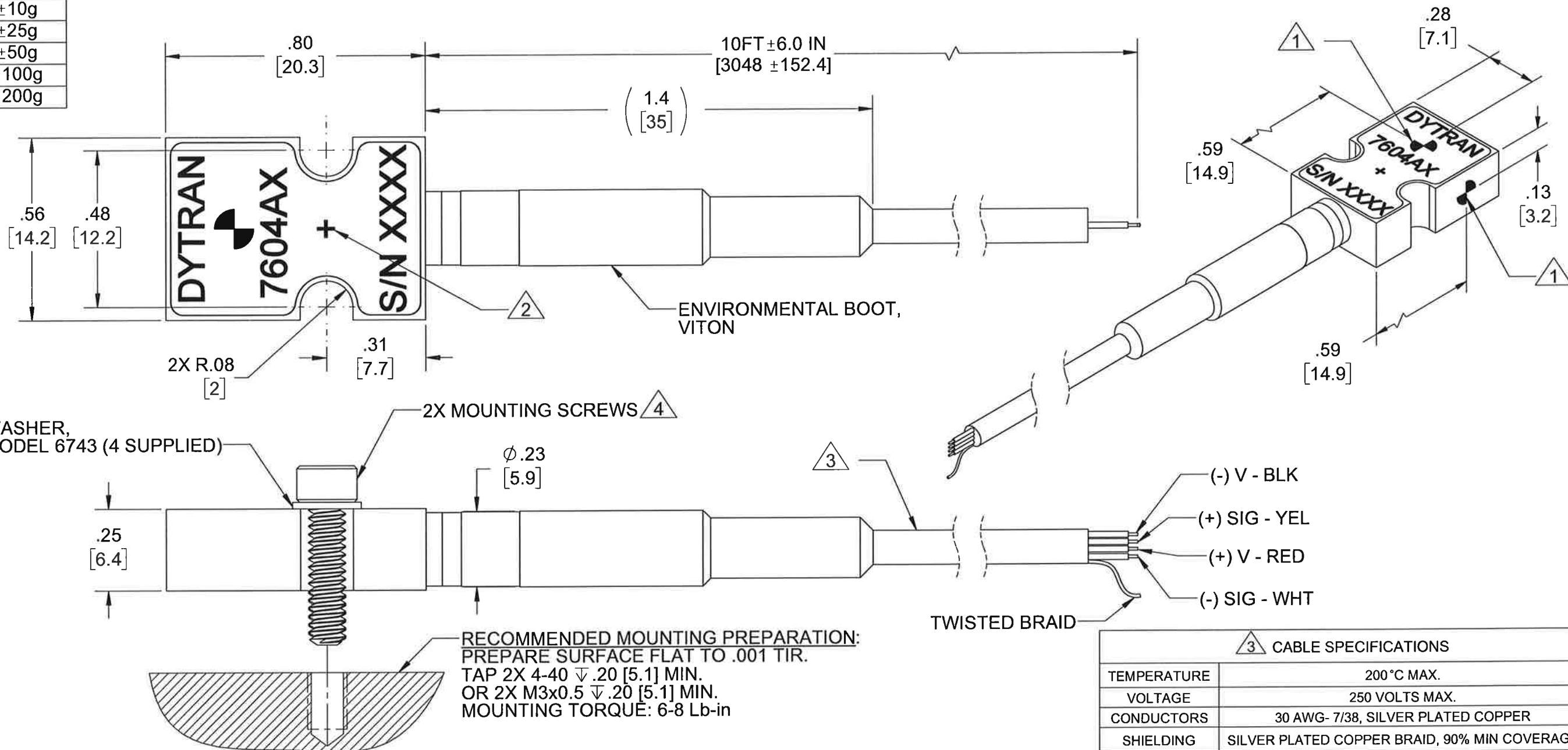
PROPRIETARY AND CONFIDENTIAL

THE INFORMATION CONTAINED IN THIS DRAWING IS THE SOLE PROPERTY OF DYTRAN INSTRUMENTS INC. ANY REPRODUCTION IN PART OR AS A WHOLE WITHOUT THE WRITTEN PERMISSION OF DYTRAN INSTRUMENTS INC. IS PROHIBITED

REVISIONS

REV.	ECN	DESCRIPTION	BY/DATE	CHK	APPR
B	12548	CLARIFIED MARKING	EM 03/17/16	PA	LN

MODEL	RANGE
7604A1	±5g
7604A2	±10g
7604A3	±25g
7604A4	±50g
7604A5	±100g
7604A6	±200g



WASHER, MODEL 6743 (4 SUPPLIED)

2X R.08 [2]

2X MOUNTING SCREWS [4]

$\phi .23$  [5.9]

RECOMMENDED MOUNTING PREPARATION:  
 PREPARE SURFACE FLAT TO .001 TIR.  
 TAP 2X 4-40  $\nabla .20$  [5.1] MIN.  
 OR 2X M3x0.5  $\nabla .20$  [5.1] MIN.  
 MOUNTING TORQUE: 6-8 Lb-in

- (-) V - BLK
- (+) SIG - YEL
- (+) V - RED
- (-) SIG - WHT

TWISTED BRAID

CABLE SPECIFICATIONS	
TEMPERATURE	200 °C MAX.
VOLTAGE	250 VOLTS MAX.
CONDUCTORS	30 AWG- 7/38, SILVER PLATED COPPER
SHIELDING	SILVER PLATED COPPER BRAID, 90% MIN COVERAGE
OUTER JACKET	FEP, $\phi .105$ IN. [2.7mm] MAX., $\phi .095$ IN. [2.4mm] MIN.

- [4] MOUNTING SCREW, MODEL 6746, 4-40 X .438, QTY. 2, SUPPLIED. MOUNTING SCREW, MODEL 6688, M3x0.5 X 12mm, QTY. 2, SUPPLIED.
- [3] CABLE, 4 CONDUCTORS, FEP JACKET. SEE TABLE FOR SPECIFICATIONS.
- [2] ARROW AND "+" SIGN INDICATES DIRECTION OF ACCELERATION FOR POSITIVE OUTPUT.
- [1] MARKING DENOTES LOCATION OF SENSING ELEMENT.

NOTES: UNLESS OTHERWISE SPECIFIED

UNLESS OTHERWISE SPECIFIED:  
 INTERPRET DIM & TOL PER ASME Y14.5M - 1994.  
 REMOVE BURRS.  
 COUNTERSINK INTERNAL THDS 90° TO MAJOR DIA.  
 CHAM EXT THDS 45° TO MINOR DIA.  
 THD LENGTHS AND DEPTHS ARE FOR MIN FULL THDS.  
 DIMENSIONS APPLY AFTER FINISHING.

ALL MACHINED SURFACES  $\sqrt{63}$   
 TOTAL RUNOUT WITHIN .005.  
 BREAK SHARP EDGES .005 TO .010.  
 MACHINED FILLET RADII .005 TO .015.  
 WELDING SYMBOLS PER AWS A2.4.  
 ABBREVIATIONS PER MIL-STD-12.

DECIMALS	METRIC	ANGLES
.XX ±.03	.X ±0.8	±1°
.XXX ±.010	.XX ±0.25	

APPROVALS		DATE
ORIG	LN	12/02/13
CHK	EP	12/10/15
APP	DV	12/12/15

DO NOT SCALE DRAWING

THIRD ANGLE PROJECTION USA

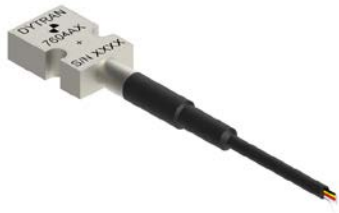
UNLESS OTHERWISE SPECIFIED:  
 DIMENSIONS ARE IN INCHES.  
 DIMENSIONS IN BRACKETS [ ] ARE IN MILLIMETERS TOLERANCES ARE:

**DYTRAN INSTRUMENTS, INC.** MASTER ONLY IF IN RED  
 Chatsworth, CA

TITLE:  
**OUTLINE/INSTALLATION DRAWING,  
 7604A SERIES**

SIZE	CAGE CODE	DWG NO	REV
B	2W033	127-7604A	B

SCALE: 4:1 SHEET 1 OF 1



- POWER SUPPLY IDENTICAL TO STRAIN GAGE SENSORS
- VARIABLE CAPACITANCE ACCELEROMETER
- DIFFERENTIAL MODE
- HERMETICALLY SEALED
- DC RESPONSE
- INTEGRAL CABLE
- ENVIRONMENTAL BOOT

**PHYSICAL**

Weight, Max (less cable)  
Integral Cable  
Material

ENGLISH		SI	
0.1	oz	3.6	grams
Flying Leads		Flying Leads	
Titanium Alloy		Titanium Alloy	

**PERFORMANCE**

Input Range  
Frequency Response (±3dB)  
Resonant Frequency  
Sensitivity Differential, ±5% [1]  
Output Noise, Differential, Typ  
Non-Linearity, Max [2]  
Sensitivity Change with Excitation Voltage (6-22 Volts)  
Cross Axis Sensitivity  
Zero Measurand Output

±25	g	±245	m/s <sup>2</sup>
0-900	Hz	0-900	Hz
3.5	kHz	3.5	kHz
20	mV/g	2.0	mV/m/s <sup>2</sup>
25	μg rms/v Hz	245	μm/s <sup>2</sup> /V Hz
0.5	% F.S	0.5	% F.S
0.3	%	0.3	%
< 3	%	< 3	%
±50	mV	±50	mV

**ENVIRONMENTAL**

Maximum Mechanical Shock (0.1 ms)  
Bias Temperature Shift, Max [3]  
Sensitivity Temperature Shift  
Operating Temperature Range  
Seal

5000	gpk	49050	m/s <sup>2</sup> peak
111	(ppm of span)/°F	200	(ppm of span)/°C
277	ppm/°F	500	ppm/°C
-40 to +248	°F	-40 to +120	°C
Hermetic		Hermetic	

**ELECTRICAL**

Output Common Mode Voltage ± VDC  
Output Impedance, Nom  
Operating Voltage  
Operating Current, Max  
Change in Operating Current to Excitation Voltage

[4]		[4]	
1225	Ω	1225	Ω
±3 to ±11	VDC	±3 to ±11	VDC
13	mA Dc	13	mA Dc
0.25	mAV	0.25	mAV

**This family also includes:**

Model	Input Range (g)	Frequency response (Hz)	Sensitivity Differential, ±5% (mV/g)	Max.Shock (0.1ms) (gpk)	Noise Differential (μg/√Hz)
7604A1	±5	0-400	100	2000	12
7604A2	±10	0-600	50	5000	18
7604A4	±50	0-1200	10	5000	50
7604A5	±100	0-1400	5	5000	100
7604A6	±200	0-1750	2.5	5000	200

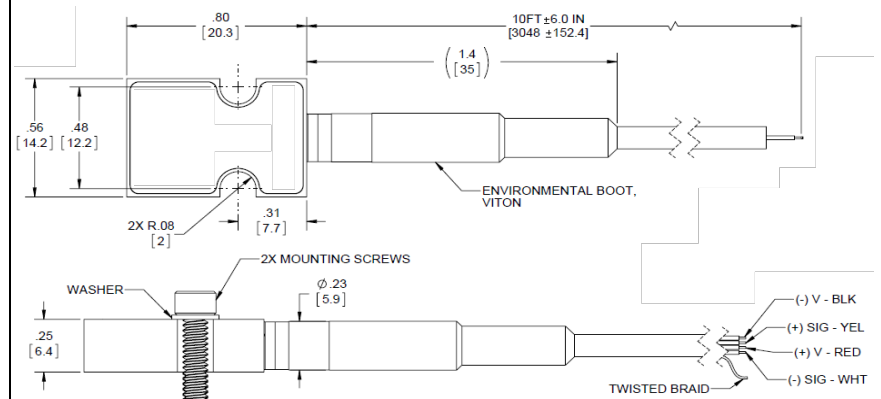
Refer to the performance specifications of the products in this family for detailed description

**Supplied Accessories:**

- 1) Accredited calibration certificate (ISO 17025)
- 2) Mounting screws, model 6746, 4-40, Qty. 2
- 3) Mounting screws, model # 6688, M3x0.5, Qty. 2
- 4) Mounting washers model # 6743, Qty. 4

**Notes:**

- [1] Single ended sensitivity is half of values shown
- [2] -90% to +90% of Full Scale
- [3] Over the rated temperature range
- [4] Bias voltage equal to (+ V - (-V) ) / 2
- [5] In the interest of constant product improvement, we reserve the right to change specifications without notice.



Units on the line drawing are in inches, units in brackets are in millimeters. Refer to 127-7604A for more information.

