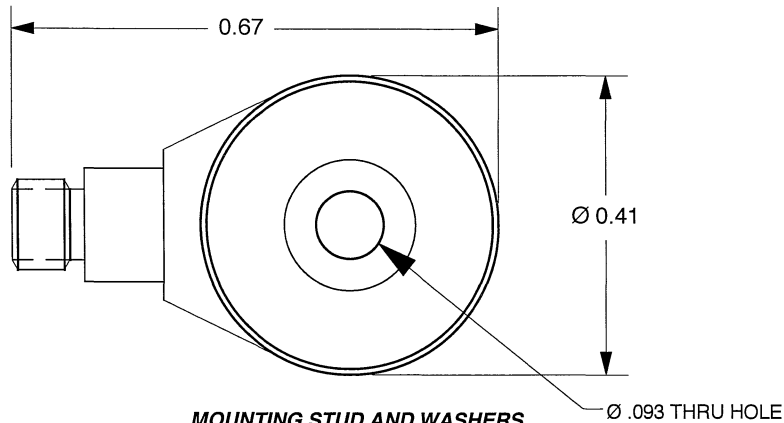


DYTRAN PROPRIETARY AND CONFIDENTIAL
 THE INFORMATION CONTAINED IN THIS DRAWING IS THE SOLE PROPERTY OF
 DYTRAN INSTRUMENTS, INC. AND ANY REPRODUCTION IN PART OR AS A
 WHOLE OR ANY OTHER DISSEMINATION OF THIS INFORMATION WITHOUT THE
 WRITTEN PERMISSION OF DYTRAN INSTRUMENTS, INC. IS PROHIBITED.

REV	ECN	DESCRIPTION	BY/DATE	CHK	APPR
A	6747	INITIAL RELEASE	RA, 04/26/10	JS	<i>[Signature]</i>

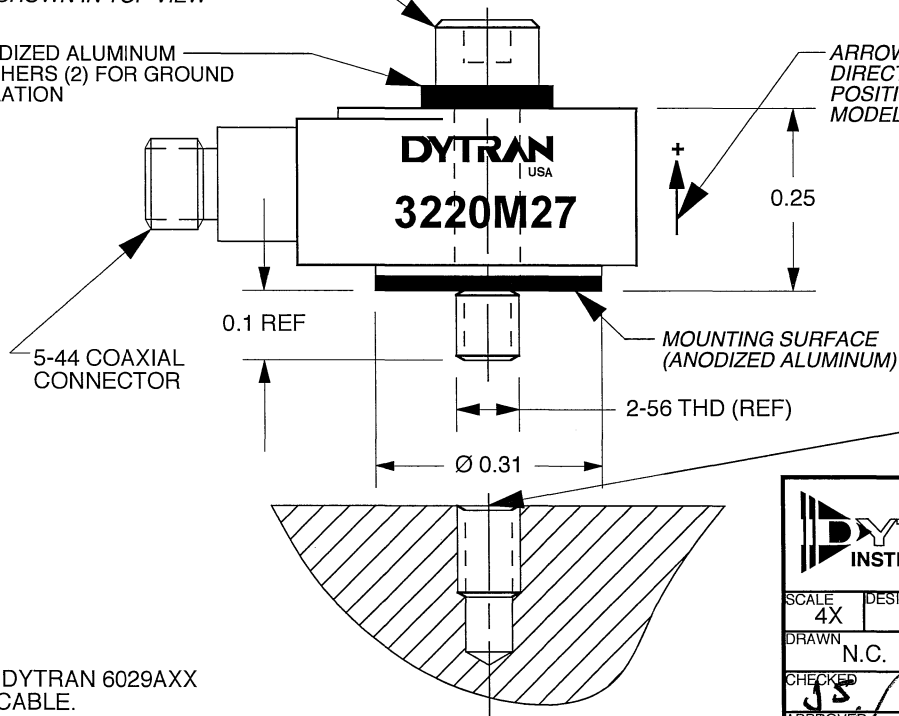


MODEL 6165 MOUNTING SCREW
 ASSY
 (REMOVABLE)
 NOT SHOWN IN TOP VIEW

**MOUNTING STUD AND WASHERS
 NOT SHOWN IN THIS VIEW**

ANODIZED ALUMINUM
 WASHERS (2) FOR GROUND
 ISOLATION

ARROW INDICATES SENSE AND
 DIRECTION OF ACCELERATION FOR
 POSITIVE GOING OUTPUT SIGNAL FOR
 MODEL 3220M27.



MOUNTING SURFACE PREPARATION

1. PREPARE (OR SELECT) A FLAT MOUNTIN SURFACE OF AT LEAST .32 DIAMETER. SURFACE SHOULD BE FLAT TO .001 TIR FOR BEST HIGH FREQUENCY RESPONSE.
2. AT THE CENTER, DRILL #50 (Ø .070) X .20 DEEP.
3. TAP #2-56 UNC-2B X .125 MIN DEPTH.
4. CLEAN THE AREA CAREFULLY AFTER MACHINING TO REMOVE ALL CHIPS AND CUTTING OILS.

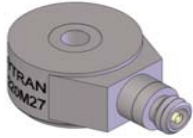
3. MATES WITH DYTRAN 6029AXX OR 6040AXX CABLE.
2. HOUSING/CONNECTOR MATERIAL: TITANIUM
1. WEIGHT: 2.7 GRAMS APPROX.

NOTES: UNLESS OTHERWISE SPECIFIED.

DYTRAN INSTRUMENTS, INC.		MASTER ONLY IF IN RED		CHATSWORTH, CA.	
SCALE 4X	DESIGN N.C.	DATE 7/19/02			
DRAWN N.C.	DATE 4/26/10	PART NO. MODEL 3220M27			A
CHECKED JS	DATE 04/27/10	MAT'L			
APPROVED BV	DATE 5/3/10	NEXT ASSEMBLY	USED ON MODEL 3220M27		
TITLE OUTLINE/INSTALLATION DRAWING MODEL 3220M27 MINIATURE ACCELEROMETER			DWG NO. 127-3220M27		
SHEET 1 OF 1					

Model Number 3220M27	PERFORMANCE SPECIFICATIONS	DOC NO PS3220M27
--------------------------------	-----------------------------------	----------------------------

	IEPE ACCELEROMETER	REV C, ECN 9980, 5/22/13
--	---------------------------	--------------------------



- HERMETICALLY SEALED
- EXCELLENT LINEARITY

PHYSICAL

Weight
 Connector, Radially Mounted
 Mounting Provision
 Material, Housing/Connector
 Sensing Element

ENGLISH		SI	
0.09	oz	2.7	grams
5-44		5-44	
[5]		[5]	
TITANIUM		TITANIUM	
QUARTZ		QUARTZ	

PERFORMANCE

Sensitivity, ±10% [1]
 Range for ± 5 Volts Output
 Frequency Response, ± 5%
 Resonant Frequency
 Broad Band Resolution
 Linearity [2]
 Maximum Transverse sensitivity
 Strain Sensitivity @ 250µε

1	mV/g	0.10	mV/m/s ²
5,000	g	49050	m/s ²
0.6 to 10000	Hz	0.6 to 10000	Hz
>33	kHz	>33	kHz
0.0032	Grms	0.031	m/s ² rms
±1	% F.S.	±1	% F.S.
5	%	5	%
0.03	g/µε	0.29	m/s ² /µε

ENVIRONMENTAL

Maximum Vibration
 Maximum Shock
 Temperature Range
 Seal

1500	Gpeak	14715	m/s ² peak
5000	Gpeak	49050	m/s ² peak
-60 to +250	°F	-51 to +121	°C
HERMETIC		HERMETIC	

ELECTRICAL

Supply Current Range [3]
 Compliance Voltage Range
 Output Impedance, Max
 Bias Voltage
 Discharge Time Constant
 Electrical Isolation

2 to 20	mA	2 to 20	mA
+18 to +30	Volts	+18 to +30	Volts
100	Ω	100	Ω
9 to 11.5	VDC	9 to 11.5	VDC
0.8 to 2.0	Sec	0.8 to 2.0	Sec
10	GΩ,min	10	GΩ,min

This family also includes:

Model	Sensitivity (mV/g)	Frequency Response (Hz)	Time Constant (Sec)	Operating Temp (°F)

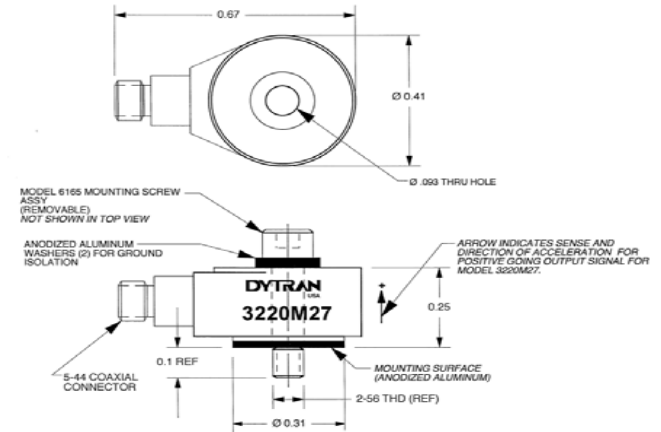
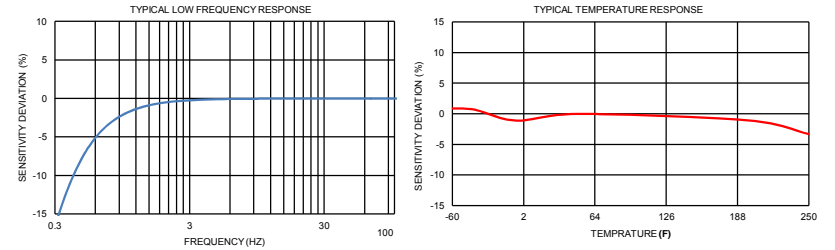
Refer to the performance specifications of the products in this family for detailed description

Supplied Accessories:

- 1) Accredited calibration certificate (ISO 17025)

Notes:

- [1] Measured at 100Hz, 1 Grms per ISA RP 37.2.
- [2] Measure using zero-based straight line method, % of F.S. or any lesser range.
- [3] Do not apply power to this system without current limiting, 20 mA MAX. To do so will destroy the IC charge amplifier.
- [4] In the interest of constant product improvement, we reserve the right to change specifications without notice.
- [5] For # 2 mounting screw.



Units on the line drawing are in inches, units in brackets are in millimeters. Refer to 127-3220M27 for more information.



21592 Marilla Street, Chatsworth, California 91311 Phone: 818.700.7818 Fax:818.700.7880 www.dytran.com
 For permission to reprint this content, please contact info@dytran.com