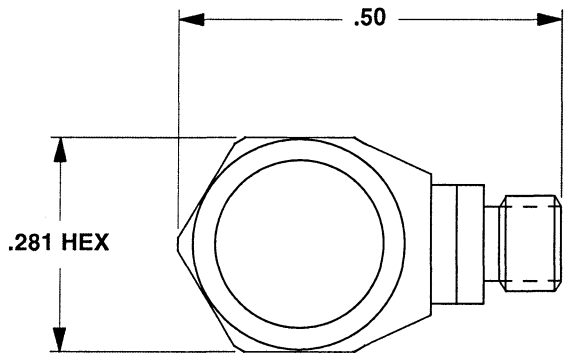
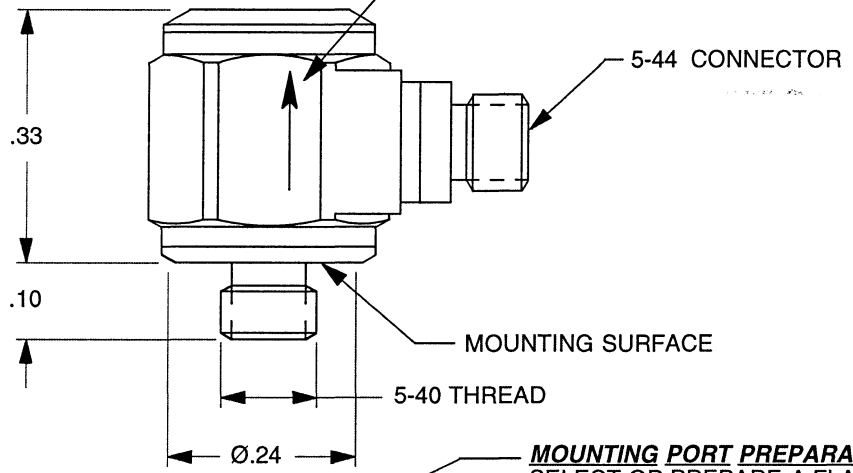


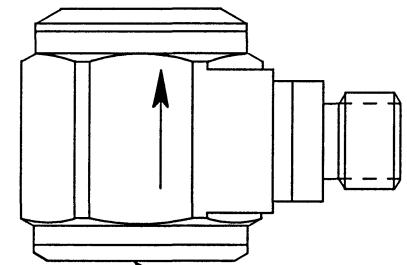
ACTUAL SIZE



ARROW INDICATES SENSE AND DIRECTION OF ACCELERATION FOR POSITIVE GOING OUTPUT SIGNAL

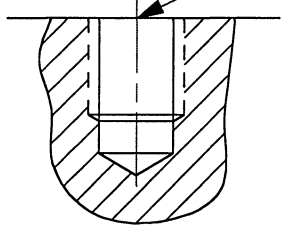


**MOUNTING PORT PREPARATION: 3035B1**  
SELECT OR PREPARE A FLAT AREA OF AT LEAST Ø.250, FLAT TO .001 TIR.  
AT THE CENTER, DRILL #38 (Ø.101) X .150 DEEP, MIN.  
TAP 5-40 UNC-2B X .125 DEEP, MIN.



MOUNTING SURFACE

**MOUNTING SURFACE PREPARATION: 3035B1G**  
SELECT OR PREPARE A FLAT AREA OF AT LEAST Ø.250, FLAT TO .001 TIR. CLEAN TO REMOVE CONTAMINANTS. APPLY ADHESIVE TO SURFACE OR TO ACCELEROMETER AND PRESS TOGETHER UNTIL ADHESIVE SETS.



**MASTER ONLY IF IN RED** CHATSWORTH, CA.

SCALE	4X	REV	A	DATE	6/10/04	ECN	-
DATE	3/5/04		PART NO.	MODELS 3035B1, 3035B1G			
DRAWN	R.A.	CHECKED	N.C.	MAT'L			
APPROVED	<i>[Signature]</i>		6-10-04	NEXT ASSEMBLY		USED ON	

- 2. MOUNTING TORQUE ON .281 HEX: 3 TO 4 LB.-IN.
- 1. WEIGHT: 2.5 GRAMS.

**OUTLINE/INSTALLATION DRAWING, MODELS 3035B1, & 3035B1G LIVM ACCELEROMETERS**

DWG NO. **127-3035B1/G**  
SHEET 1 OF 1

<b>Model Number</b> 3035B1G	<b>PERFORMANCE SPECIFICATIONS</b>	<b>DOC NO</b> PS3035B1G
--------------------------------	-----------------------------------	----------------------------

**IEPE ACCELEROMETER**

REV B, ECN 11062, 12/16/15



- MINATURE SIZE
- HERMETICALLY SEALED
- ADHESIVE MOUNT

**PHYSICAL**

Weight, Max.  
Connector  
Mounting Provision  
Material, Housing/Connector  
Sensing Element  
Element Style

ENGLISH		SI
0.09	oz	2.5 grams
5-44 Coaxial		5-44 Coaxial
Adhesive		Adhesive
300 Series Stainless Steel		300 Series Stainless Steel
Ceramic		Ceramic
Shear		Shear

**PERFORMANCE**

Sensitivity, ±10% [1]  
Range for ± 5 Volts Output  
Frequency Response, ±10%  
Resonant Frequency  
Broad Band Resolution  
Linearity [2]  
Maximum Transverse sensitivity  
Strain Sensitivity @ 250µε

10	mV/g	1	mV/m/s <sup>2</sup>
±500	g	±4905	m/s <sup>2</sup>
0.5 to 10000	Hz	0.5 to 10000	Hz
> 45	kHz	> 45	kHz
0.004	Grms	0.04	m/s <sup>2</sup> rms
±1	% F.S.	±1	% F.S.
5	%	5	%
0.002	g/µε	0.02	m/s <sup>2</sup> /µε

**ENVIRONMENTAL**

Maximum Vibration  
Maximum Shock  
Temperature Range  
Seal

600	Gpeak	5884	m/s <sup>2</sup> peak
10000	Gpeak	98067	m/s <sup>2</sup> peak
-60 to +250	°F	-51 to +121	°C
Hermetic		Hermetic	

**ELECTRICAL**

Supply Current Range [3]  
Compliance Voltage Range  
Output Impedance, Typ  
Bias Voltage  
Discharge Time Constant  
Electrical Isolation

2 to 20	mA	2 to 20	mA
18 to 30	Volts	18 to 30	Volts
100	Ω	100	Ω
11 to 13	VDC	11 to 13	VDC
0.8 to 2	Sec	0.8 to 2	Sec
Case Grounded	GΩ,min	Case Grounded	GΩ,min

**This family also includes:**

Model	Range F.S. (g)	Sensitivity (mV/g)	Time Constant (Sec)
3035BG	± 50	100	0.8 to 2
3035B2G	± 100	50	0.8 to 2
3035B3G	± 1000	5	0.8 to 2

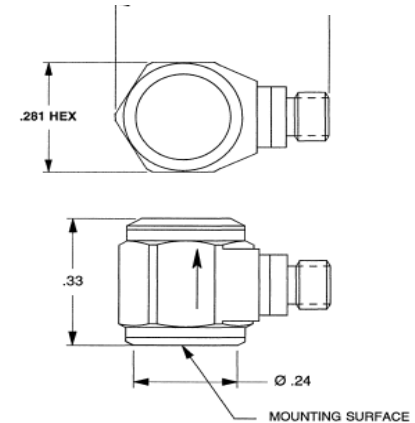
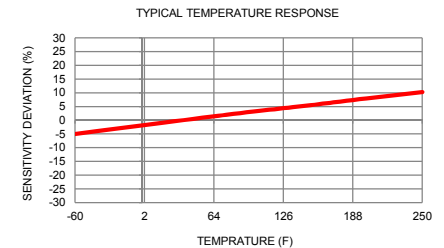
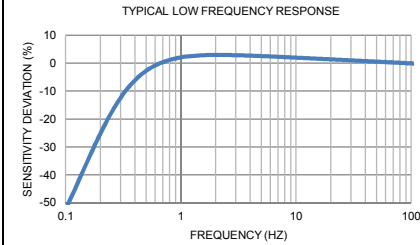
Refer to the performance specifications of the products in this family for detailed description

**Supplied Accessories:**

- 1) Accredited calibration certificate (ISO 17025)

**Notes:**

- [1] Measured at 100Hz, 1 Grms per ISA RP 37.2.
- [2] Measure using zero-based straight line method, % of F.S. or any lesser range.
- [3] Do not apply power to this system without current limiting, 20 mA MAX. To do so will destroy the IC charge amplifier.
- [4] In the interest of constant product improvement, we reserve the right to change specifications without notice.



Units on the line drawing are in inches, units in brackets are in millimeters. Refer to 127-3035B1G for more information.



21592 Marilla Street, Chatsworth, California 91311 Phone: 818.700.7818 Fax: 818.700.7880 www.dytran.com  
For permission to reprint this content, please contact info@dytran.com