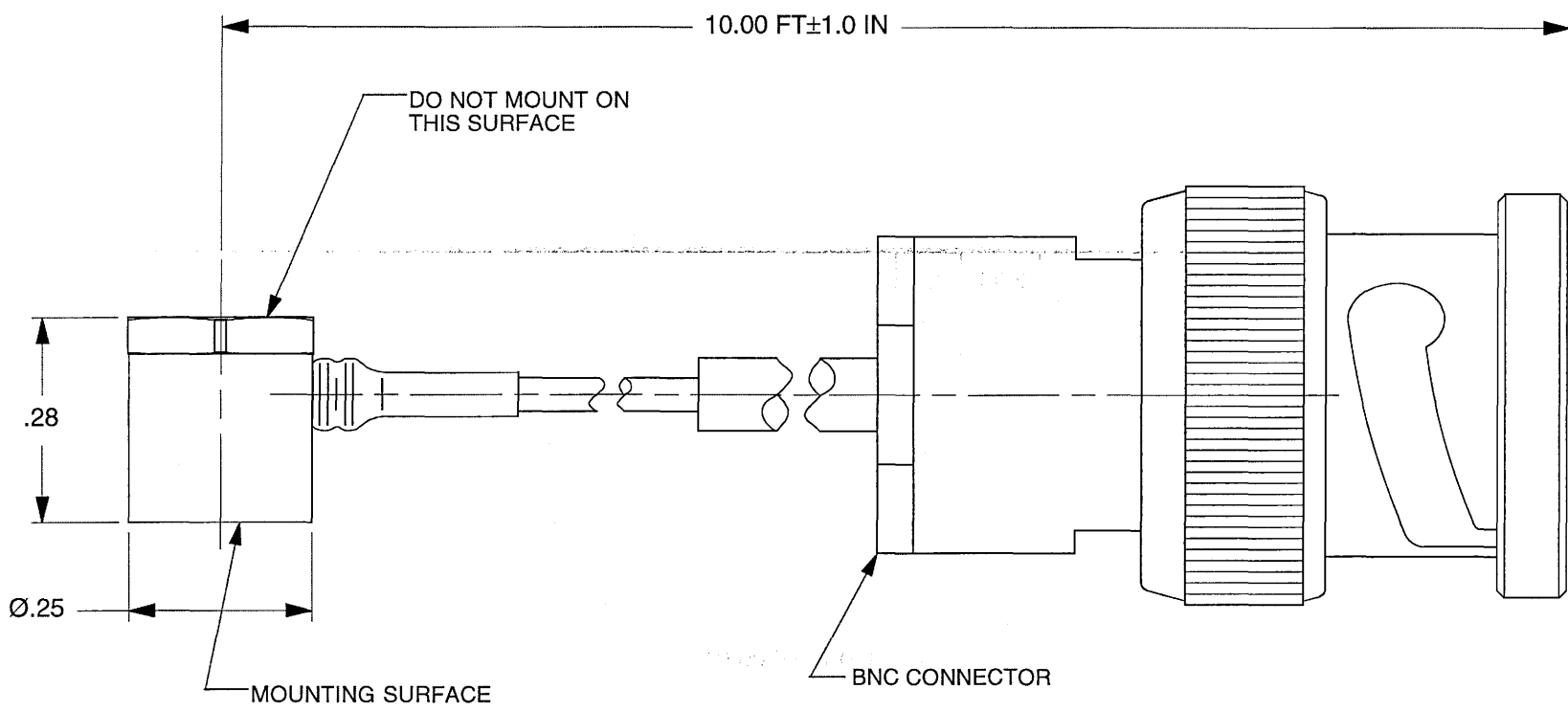
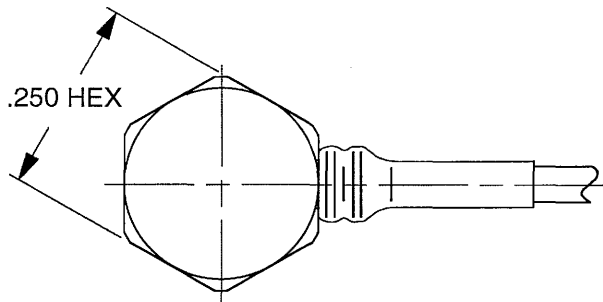


REV	ECN	DESCRIPTION	BY/DATE	CHK	APPR
A	5066	INITIAL RELEASE	RLA 2/19/08	<i>fd</i>	<i>92</i>



↑
+
ARROW INDICATES SENSE AND DIRECTION OF ACCELERATION FOR POSITIVE-GOING OUTPUT VOLTAGE

		MASTER ONLY IF IN RED		CHATSWORTH, CA.	
SCALE	4X	REV	-	DATE	SEE REV BLOCK
DATE	2/12/06	PART NO.	MODEL 3032M9		
DRAWN	N.C.	CHECKED	<i>ces</i>		MAT'L
APPROVED	<i>C. Samp 2/25/8</i>		NEXT ASSEMBLY	USED ON	MODEL 3032M9
TITLE				DWG NO.	
OUTLINE DRAWING, MODEL 3032M9				127-3032M9	
SHEET 1 OF 1					



SPECIFICATIONS

MODEL 3032M9 MINIATURE QUARTZ SHEAR LIVM ACCELEROMETER

SPECIFICATION	VALUE	UNITS
PHYSICAL		
WEIGHT, LESS CABLE	1.5	GRAMS
WEIGHT, INCLUDING CABLE	5.6	GRAMS
SIZE (HEX x HEIGHT)	.25 x .28	INCHES
MOUNTING PROVISION	ADHESIVE MOUNT	
CONNECTOR, COAXIAL, MOUNTED AT END OF 10 FT CABLE	BNC PLUG	
CASE /CAP MATERIAL	STAINLESS STEEL	
ELEMENT TYPE	QUARTZ SHEAR	
PERFORMANCE		
SENSITIVITY, +/-10% [1]	10	mV/g
RANGE F.S. FOR +/- 5 VOLTS OUT	+/- 500	g
FREQUENCY RESPONSE, +/- 10%	1 to 10,000	Hz
FREQUENCY RESPONSE, +/- 3db	.66 to 12,000	Hz
MOUNTED RESONANT FREQUENCY, NOM.	40	kHz
EQUIVALENT ELECTRICAL NOISE (RESOLUTION)	.007	g rms
AMPLITUDE NON-LINEARITY (ZERO BASED BEST FIT ST.LINE METHOD)	2.0	% F.S., MAX.
TRANSVERSE SENSITIVITY, MAX.	5	%
STRAIN SENSITIVITY, @ 250/ $\mu\sigma$.001	g per $\mu\sigma$
ENVIRONMENTAL		
MAXIMUM VIBRATION	1000	g rms
MAXIMUM SHOCK	1500	g pk
TEMPERATURE RANGE	-60 TO +320	$^{\circ}$ F
THERMAL COEFFICIENT OF SENSITIVITY	0.06	%/ $^{\circ}$ F
SEAL	EPOXY/WELDED	
ELECTRICAL		
EXCITATION (COMPLIANCE) VOLTAGE RANGE	+20 to +30	VDC
EXCITATION CURRENT RANGE	2 to 20	mA
OUTPUT IMPEDANCE, NOM.	100	OHMS
OUTPUT BIAS VOLTAGE	7 to 9	VDC
DISCHARGE TIME CONSTANT, MIN.	0.5	SEC.
OUTPUT SIGNAL POLARITY FOR ACCELERATION TOWARD TOP	POSITIVE GOING	

[1] MEASURED AT 1 G RMS AT 100 HZ PER ISA RP 37.2

[2] A CALIBRATION CERTIFICATE TRACEABLE TO NIST IS SUPPLIED WITH EACH INSTRUMENT.