

SF3-1000 SPECIFICATIONS

AMTI's SF3, formally designated the MC3-SSUDW, is a six-component force sensor that features a stainless steel body and an oil-filled pressure compensation bladder to enable short-term (<24 hours) continuous submersion in fresh water.



Units: Capacity:

Dimensions(WxLxH)	76 x 76 x 76.2 mm	IP Rating	IP68 *
Weight	1.97 Kg.	Sensing elements	Strain gage bridge
Channels	Fx, Fy, Fz, Mx, My, Mz	Amplifier	Required
Body Material	Stainless Steel	Analog outputs	6 Channels
Temperature range	-17.78 to 51.67°C	Digital outputs	None
Excitation	10V maximum	Crosstalk	< 2% on all channels
Fx, Fy, Fz hysteresis	± 0.2% full scale output	Fx, Fy, Fz non-linearity	± 0.2% full scale output

Channel	Fx	Fy	Fz	Units	Mx	My	Mz	Units
Capacity	2223	2223	4446	N	113	113	56	N-m
Sensitivity	0.54	0.54	0.135	µv/v-N	26.58	26.58	21.26	µv/v-N-m
Natural frequency	-	-	-	Hz	-	-	-	Hz
Stiffness (X 105)	210	210	2979	N/m	-	-	0.226	N-m/rad

Resolution *To determine the resolution of your system, please use our [Output Calculator](#).*

Notes: * The transducer is tested in potable tap water at a pressure of 100 psi (690 kPa) and a temperature of 70°F (21°C) for 8 hours. Any use exceeding these conditions will void the warranty.

Published specifications subject to change without notice.

Last modified:2018-03-22

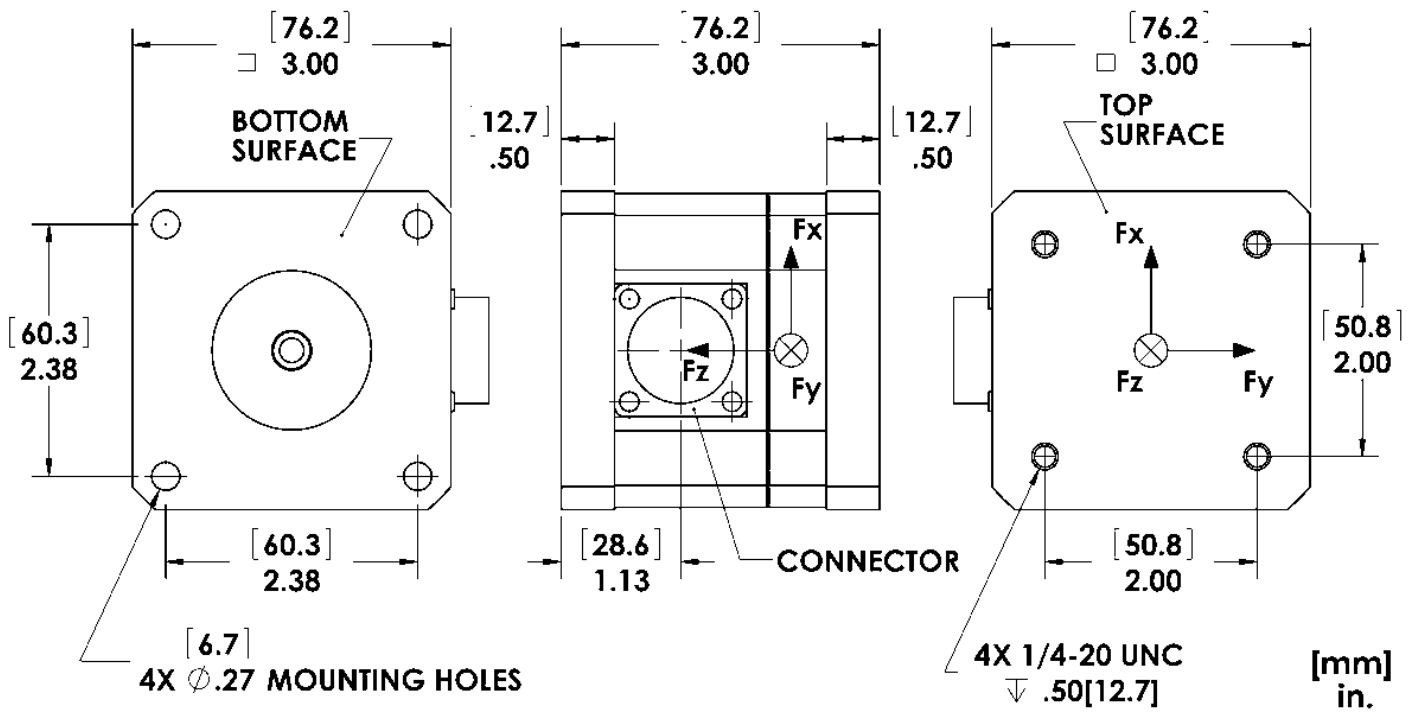
TECHNICAL DRAWINGS

Footprint Drawing (click on image to enlarge)

Electrical Drawing

TECHNICAL DRAWING

Footprint Drawing



Electrical Drawing

No electrical schematic currently in the database

© Advanced Mechanical Technology, Inc.

176 Waltham Street, Watertown, MA 02472-4800 USA

1-617-926-6700