

REDRAWN ON CAD 11/18/96



MASTER ONLY IF IN RED

CHATSWORTH, CA.

2 HOUSING & CONNECTOR MATERIAL: 300 SERIES STAINLESS STEEL.

1 TORQUE MOUNTING SCREWS TO 20 LB-INCHES TORQUE. LOCKWIRE IF DESIRED.

EXCEPT AS OTHERWISE NOTED

ALL DIMENSIONS IN INCHES
 TOLERANCE: .XXX = ± .005 .XX = ± .01
 SURFACE FINISH EXCEPT AS NOTED
 BREAK EDGES TO DEBURR RADIUS OR CHAMFER .005
 THESE DIAS TO .005 T.I.R.
 FILLETS - .005 MAX RAD.

ALL PART NUMBER LETTER SUFFIXES ARE TO BE INTERPRETED AS FOLLOWS:
 I.E. - 107-0000-01(X)
 M - MACHINED ONLY (UNPLATED) G - MATERIAL HAS BEEN GRAINED
 P - PLATED/PAINTED S - MATERIAL HAS BEEN SAWCUT
 H - HEAT TREATED E - ENVIRONMENTAL TEST

SCALE	1X	REV	A	DATE	3-29-99	ECN	2820
DATE	8-26-94		PART NO.				
DRAWN	N.C.	CHECKED	N.C.	MAT'L			
APPROVED	3-29-99		NEXT ASSEMBLY		USED ON		
TITLE							DWG NO.
OUTLINE/INSTALLATION MODEL 3196C							127-3196C
							SHEET 1 OF 1

MODEL NUMBER	PERFORMANCE SPECIFICATION		DOC NUMBER
3196C	Accelerometer, Charge Mode		PS3196C
			REV A, ECN 12876, 08/17/16



- HIGH-TEMPERATURE OPERATION
- CHARGE MODE

PHYSICAL

	ENGLISH		SI	
Weight, Max	3.0	oz	85	grams
Size	2.28	inch	57.91	mm
Height	0.8	inch	20.32	mm
Mounting, Three-hole	1.188	inch	30.18	mm
Connector	Stainless Steel		Stainless Steel	
	TNC Jack		TNC Jack	
Housing	Stainless Steel		Stainless Steel	
Sensing Element	Ceramic		Ceramic	
Mode	Compression		Compression	

PERFORMANCE

Sensitivity, ±1.0	8.0	pC/g	0.82	pC/m/s ²
Range, F.S.	500	G peak	500	G peak
Frequency Response, ±5%	[1] -2500	Hz	[1] -2500	Hz
Resonance Frequency	13	kHz	13	kHz
Transverse Sensitivity, Max	5	%	5	%
Base Strain Sensitivity	0.012	g/με	0.12	m/s ² /με
Amplitude Non-linearity [2]	2	% F.S.	2	% F.S.

ELECTRICAL

Capacitance, Nom	190	pF	190	pF
Output Signal Polarity [3]	Negative-Going		Negative-Going	

ENVIRONMENTAL

Maximum Shock	2000	G peak	19620	m/s ²
Maximum Vibration	±1000	G	±9800	m/s ²
Thermal Sensitivity Coefficient	0.02	% / °F	0.036	% / °C
Operating Temperature	-65 to 500	°F	-54 to 260	°C
Seal	Hermetic		Hermetic	

This family also includes:

Model	Sensitivity (pC/g)	Range (Gpeak)	Oper. Temp(°F)

Please refer to the performance specifications of the products in this family for detailed description.

Supplied Accessories:

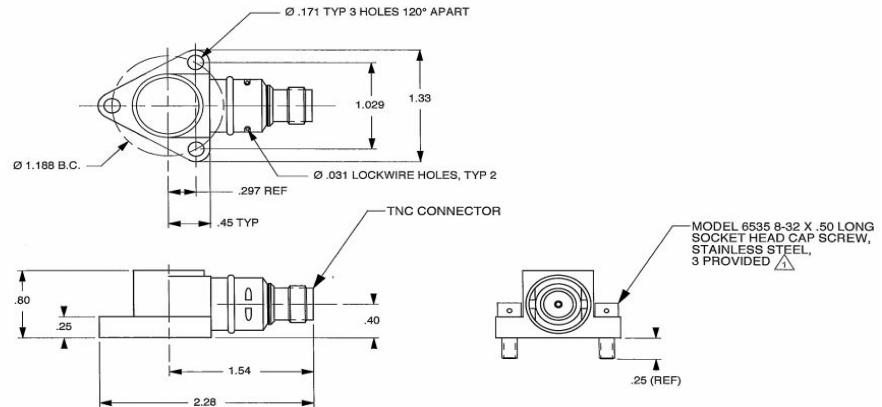
- 1) Model 6535 Mounting Screw, 8-32 thread (3)

Available Accessories:

- 1) Model 6185 Immersion Proof Boot

Notes:

- [1] Low frequency response is a function of the charge amplifier discharge time constant.
- [2] Measured using zero-based straight line method, percentage of F.S. or any lesser range.
- [3] Measured for acceleration towards top.



Units on the line drawing are in inches, units in brackets are in millimeters. Refer to 127-3196C for more information.



21592 Marilla Street, Chatsworth, California 91311 Phone: 818.700.7818
 Fax: 818.700.7880 www.dytran.com For permission to reprint this content, please contact