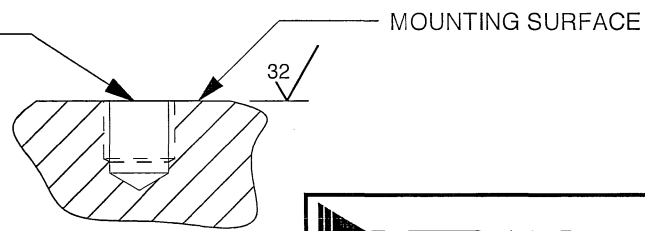


MOUNTING PREPARATION
 PREPARE FLAT SURFACE (TO .001 TIR)
 NEXT DRILL 5/16 (Ø.312) X .320 DEEP
 BOTTOM TAP 3/8-16 UNC-2B X .300 MIN
 THREAD DEPTH



REDRAWN ON CAD 9-9-96

4. DO NOT APPLY IMPACT LOADS TO FORCE SENSOR WITHOUT IMPACT CAP, MODEL 6217 OR EQUIVALENT. CONSULT FACTORY FOR SPECIAL IMPACT CAPS FOR YOUR PARTICULAR APPLICATION.
3. TORQUE TO 20-25 LB-FT AT INSTALLATION USING WRENCH ON WRENCH FLATS ONLY.
2. WEIGHT - 420 GRAMS
1. MATERIAL, HOUSING & CONNECTOR HOUSING: 300 SERIES STAINLESS STEEL. TOP AND BOTTOM SURFACES, 17-4 PH ST. STEEL

		<h1>MASTER ONLY IF IN RED</h1>		CHATSWORTH, CA.	
SCALE	1X	REV	DATE	ECN	
DATE	12/19/85	PART NO.	1061V		
DRAWN	N.C.	CHECKED	MAT'L		
APPROVED	N.C.	05/17/05	NEXT ASSEMBLY	USED ON	
TITLE				DWG NO.	
OUTLINE/INSTALLATION DRAWING FORCE SENSOR, SERIES 1061V				127-1061V	
				SHEET 1 OF 1	

Model Number 1061V5	PERFORMANCE SPECIFICATION	Doc No PS1061V5
	Force Sensors, IEPE	REV A, ECN 12920, 08/23/16



- DYNAMIC FORCE SENSOR
- VOLTAGE MODE
- EXCELLENT LINEARITY

PHYSICAL

Weight, Max.	Type
Connector	Thread
Housing	Material
Sensing Element	Isolation
	Material
	Mode

ENGLISH		SI	
15.82	oz	452	grams
Coaxial		Coaxial	
10-32		10-32	
Stainless steel		Stainless steel	
Case grounded		Case grounded	
Quartz		Quartz	
Compression		Compression	

PERFORMANCE

	ENGLISH	SI
Sensitivity, +/-10%	0.2 mV/Lb	0.04 mV/N
Compression Range	25000 Lbs.Force	111200 N
Maximum Compression, +/-5%	50000 Lbs.Force	222400 N
Tension Range	1000 Lbs.Force	4448 N
Maximum Tension [1], +/-5%	1000 Lbs.Force	4448 N
Resolution	.35 Lb. RMS	1.55680 N RMS
Linearity [2]	± 1 % Full Scale	± 1 % Full Scale
Mounted Resonance (Unloaded)	≥ 75 kHz	≥ 75 kHz
Stiffness	50 Lb/μin	8.66 kN/μm

ENVIRONMENTAL

	ENGLISH	SI
Coefficient Of Thermal Sensitivity	0.03 %/°F	0.05 %/°C
Operating Temperature	-100 to +250 °F	-73 to +121 °C
Maximum Vibration	±3000 g's,Peak	±29400 m/s^2 Peak
Maximum Shock	5,000 g's,Peak	49,000 m/s^2 Peak
Environmental Seal	Epoxy	Epoxy

ELECTRICAL

	ENGLISH	SI
Supply Current [3]	2 to 20 mA	2 to 20 mA
Compliance Voltage	18 to 30 VDC	18 to 30 VDC
Discharge Time Constant, Min.	2000 Seconds	2000 Seconds
F.S. Output Voltage	5 Volts	5 Volts
Output Impedance	100 Ω	100 Ω

This family also includes:

Model	Sensitivity (mV/Lb)	Range (LbsF) Compressive, Tensile	Max Force (LbsF) Compressive, Tensile	Discharge Time Constant (Sec)
1061V1	10	500, 500	10000, 1000	150
1061V2	5	1000, 1000	20000, 1000	300
1061V3	1	5000, 1000	30000, 1000	1500
1061V4	0.5	10000, 1000	40000, 1000	2000
1061V6	0.1	50000, 1000	60000, 1000	2000

Refer to the performance specifications of the products in this family for detailed description

Supplied Accessories:

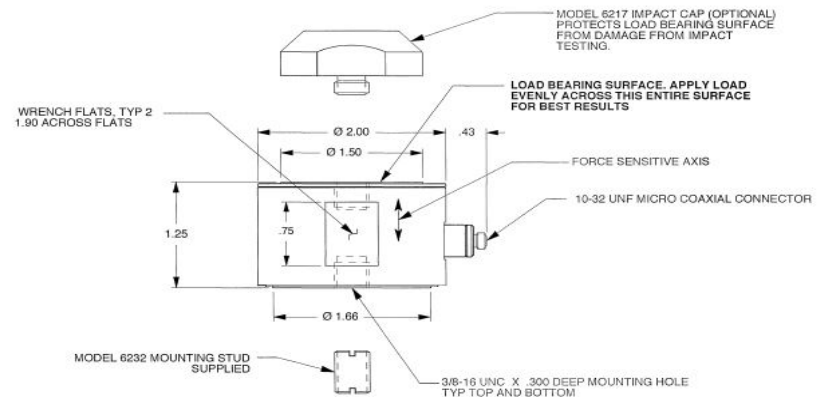
- 1) Accredited Calibration Certificate (ISO 17025)
- 2) MOD 6232 MOUNTING STUDS (2)

Available Accessories:

- 1) MOD 6217 STAINLESS STEEL IMPACT CAP

Notes:

- [1] Absolute maximum tension. Do not exceed in any case!
- [2] Percent of full scale or any lesser range, zero based best-fit straight line method.
- [3] Power these instruments only with constant current type power units. Do not connect to a source of voltage without current limiting. This will destroy the integral IC amplifier.



Units on the line drawing are in inches, units in brackets are in millimeters. Refer to 127-1061V for more information.



21592 Marilla Street, Chatsworth, California 91311 Phone: 818.700.7818 Fax:818.700.7880 www.dytran.com
For permission to reprint this content, please contact info@dytran.com