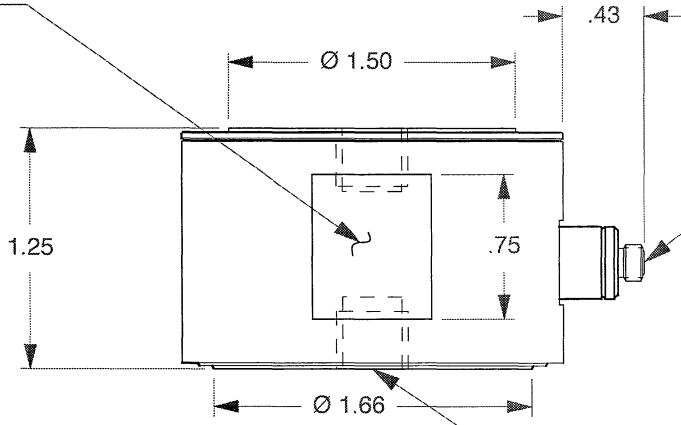


WRENCH FLATS, TYP 2
1.90 ACROSS FLATS

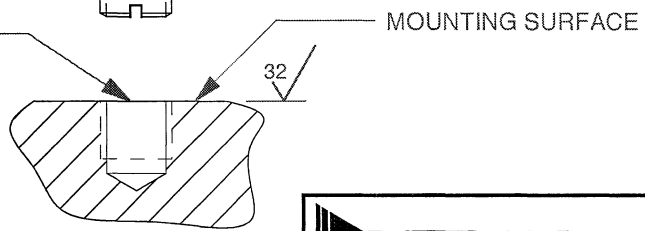


10-32 UNF MICRO COAXIAL CONNECTOR

MODEL 6232 MOUNTING STUD
SUPPLIED

3/8-16 UNC X .300 DEEP MOUNTING HOLE
TYP TOP AND BOTTOM

MOUNTING PREPARATION
PREPARE FLAT SURFACE (TO .001 TIR)
NEXT DRILL 5/16 (Ø.312) X .320 DEEP
BOTTOM TAP 3/8-16 UNC-2B X .300 MIN
THREAD DEPTH



1. WEIGHT - 420 GRAMS

EXCEPT AS OTHERWISE NOTED

ALL DIMENSIONS IN INCHES
TOLERANCE: .XXX = ± .XX = ±

SURFACE FINISH EXCEPT AS NOTED

BREAK EDGES TO DEBURR
RADIUS OR CHAMFER

THESE DIAS TO T.I.R.

FILLETS - MAX RAD.

DYTRAN INSTRUMENTS, INC.		MASTER ONLY IF IN RED		CHATSWORTH, CA.	
SCALE	1X	REV	DATE	ECN	
DATE	2/16/96	PART NO.	1061C		
DRAWN	D.Z.	CHECKED	N.C.		
APPROVED	3-2-12		NEXT ASSEMBLY	USED ON	
TITLE				DWG NO.	
OUTLINE/INSTALLATION DRAWING FORCE SENSOR, MODEL 1061C				127-1061C	
				SHEET 1 OF 1	



- DYNAMIC FORCE SENSOR
- CHARGE MODE
- EXCELLENT LINEARITY

PHYSICAL

Weight, Max.
Connector
Housing
Sensing Element

Type
Thread
Material
Isolation
Material
Mode

	ENGLISH		SI	
Weight, Max.	14.70	oz	420	grams
Connector	Coaxial		Coaxial	
Thread	10-32		10-32	
Housing	Stainless steel		Stainless steel	
Isolation	Case grounded		Case grounded	
Sensing Element	Quartz		Quartz	
Mode	Compression		Compression	

PERFORMANCE

Sensitivity, +/-15%
Working Compression Range
Maximum Compression
Working Tension Range
Maximum Tension [1]
Linearity [2]
Mounted Resonance (Unloaded)
Stiffness

Sensitivity, +/-15%	-9	pC/Lb F	-2.02	pC/N
Working Compression Range	25000	Lbs.Force	111200	N
Maximum Compression	60000	Lbs.Force	266880	N
Working Tension Range	500	Lbs.Force	2224	N
Maximum Tension [1]	1000	Lbs.Force	4448	N
Linearity [2]	± 1	% F.S.	± 1	% F.S.
Mounted Resonance (Unloaded)	75	kHz	75	kHz
Stiffness	50	Lb/µin	8.66	kN/µm

ENVIRONMENTAL

Coefficient Of Thermal Sensitivity
Operating Temperature
Maximum Vibration
Maximum Shock
Environmental Seal

Coefficient Of Thermal Sensitivity	0.01	%/°F	0.02	%/°C
Operating Temperature	-100 to +500	°F	-73 to +260	°C
Maximum Vibration	± 3000	g's,Peak	± 29400	m/s^2 Peak
Maximum Shock	5,000	g's,Peak	49,000	m/s^2 Peak
Environmental Seal	Welded/Epoxy		Welded/Epoxy	

ELECTRICAL

Capacitance, Nom
Insulation Resistance

Capacitance, Nom	250	pF	250	pF
Insulation Resistance	5.00E+11	Ω	5.00E+11	Ω

This family also includes:

Model	Sensitivity (mV/Lb)	Range (Lbs.Force)	Max.Force (Lbs.Force)	Oper. Temp(°F)

Refer to the performance specifications of the products in this family for detailed description

Supplied Accessories:

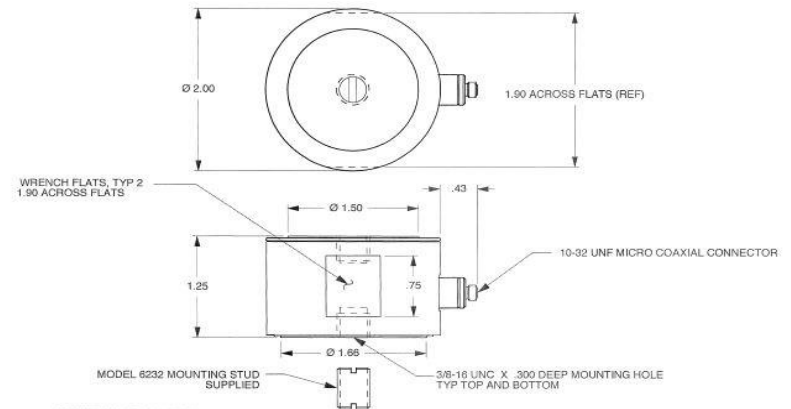
- 1) Accredited Calibration Certificate (ISO 17025)
- 2) MOD 6232 3/8-16 MOUNTING STUDS (2)

Available Accessories:

- 1) MODEL 6217 STAINLESS STEEL IMPACT CAP

Notes:

- [1] Absolute maximum tension. Do not exceed in any case!
- [2] Percent of full scale or any lesser range, zero based best-fit straight line method.



Units on the line drawing are in inches, units in brackets are in millimeters. Refer to 127-1061C for more information.

