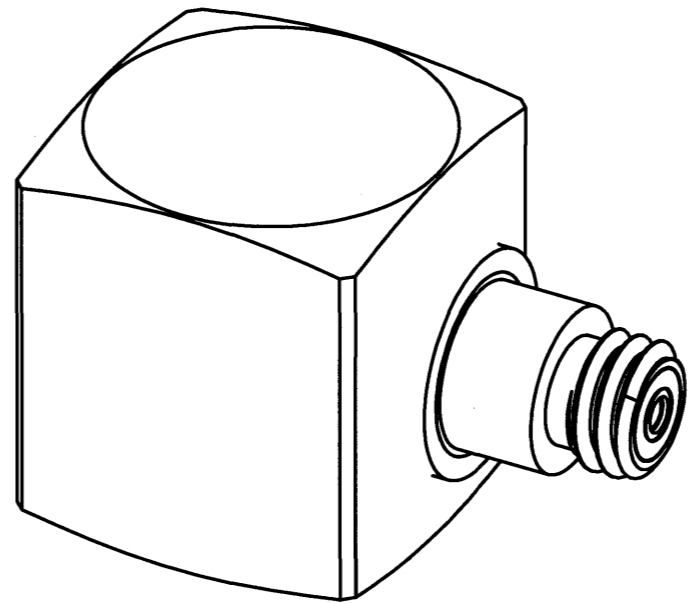
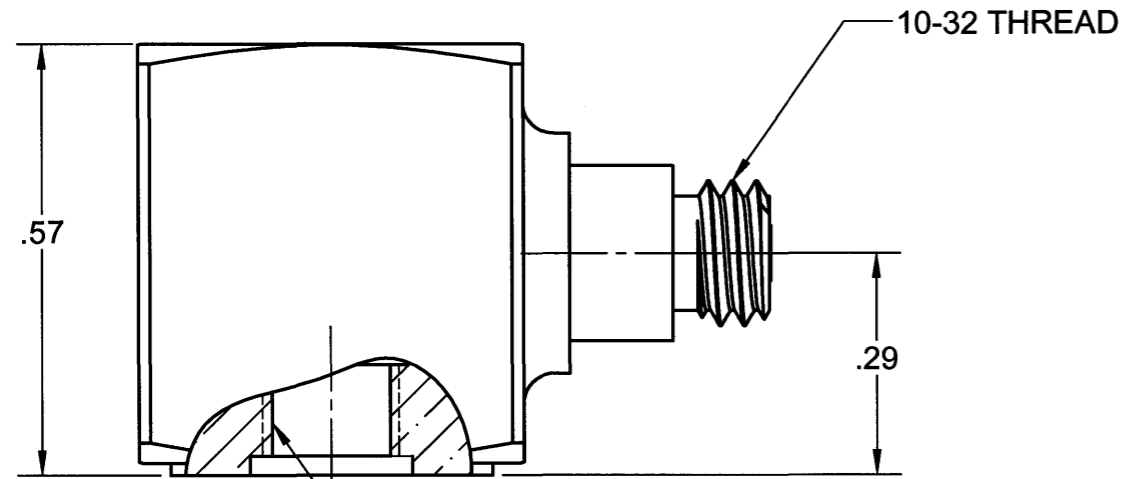
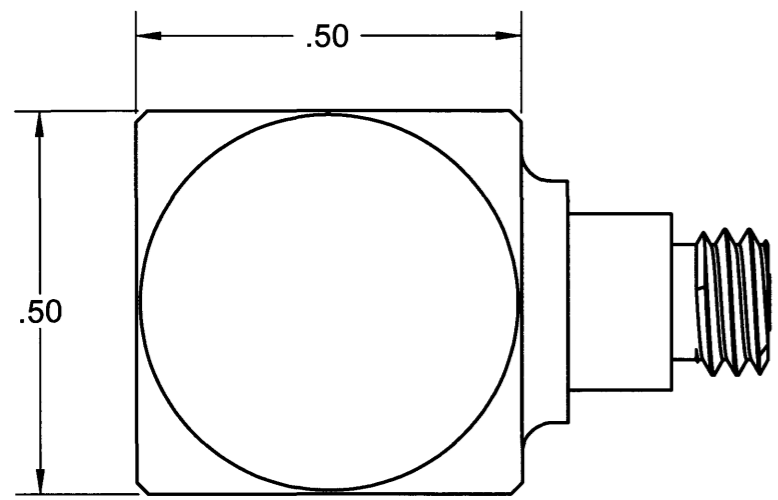
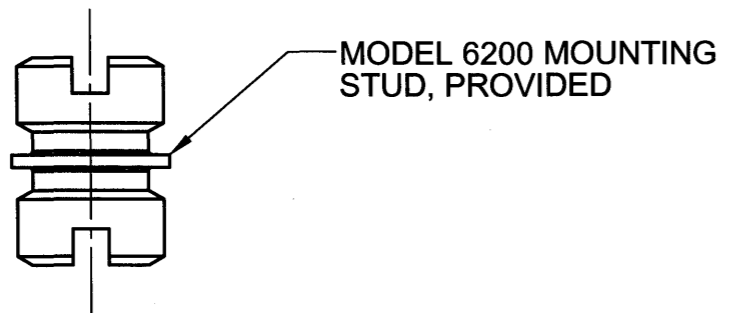


REVISIONS					
REV	ECN	DESCRIPTION	BY/DATE	CHK	APPR
A	4791	INITIAL RELEASE	RLA, 8/14/07	CEJ	PML



10-32 UNF-2B



MODEL NO	REV	DATE	AMPLIFIER	SENS
3214A1	A	8/14/2007	102-0660-40	10mV/g
3214A2	A	8/14/2007	102-0660-49	100mV/g
3214A3	A	8/14/2007	102-0660-56	500mV/g

DRILL HOLE SIZE	TOLERANCE
.0135 THRU .125	+0.004 / -.001
.1260 THRU .250	+0.005 / -.001
.2510 THRU .500	+0.006 / -.001
.5010 THRU .750	+0.008 / -.001
.7510 THRU 1.000	+0.010 / -.001
1.001 THRU 2.000	+0.012 / -.001

UNLESS OTHERWISE SPECIFIED:
 INTERPRET DIM & TOL PER ASME Y14.5M - 1994.
 REMOVE BURRS.
 COUNTERSINK INTERNAL THDS 90° TO MAJOR DIA.
 CHAM EXT THDS 45° TO MINOR DIA.
 THD LENGTHS AND DEPTHS ARE FOR MIN FULL THDS.
 THDS PER MIL-S-7742.
 DIMENSIONS APPLY AFTER FINISHING.
 ALL MACHINED SURFACES [#error: broken link](#)
 TOTAL RUNOUT WITHIN .005.
 BREAK SHARP EDGES .005 TO .010.
 MACHINED FILLET RADII .005 TO .015.
 WELDING SYMBOLS PER AWS A2.4.
 ABBREVIATIONS PER MIL-STD-12.

UNLESS OTHERWISE SPECIFIED: DIMENSIONS ARE IN INCHES. TOLERANCES ARE: DECIMALS .XX ± .010 .XXX ± .005		CONTRACT NO.	
MATERIAL: Ti 6Al-4V		APPROVALS	DATE
FINISH:		ORIG PML	6/22/07
DO NOT SCALE DRAWING		CHK CEJ	8.30.07
		APP PML	9.3.07

DYTRAN INSTRUMENTS, INC. MASTER ONLY IF IN RED. Chatsworth, CA

TITLE:
OUTLINE/INSTALLATION DRAWING

SIZE B	CAGE CODE 2W033	DWG NO 127-3214A	REV A
------------------	---------------------------	----------------------------	-----------------

SCALE: 2:1 SOLIDWORKS SHEET 1 of 1

Model Number 3214A2	PERFORMANCE SPECIFICATIONS	DOC NO PS3214A2
IEPE ACCELEROMETER		REV A, EGN 12442, 01/21/16



- HERMETICALLY SEALED
- IDEAL LOW FREQUENCY RESPONSE

This family also includes:

Model	Sensitivity (mV/g)	Frequency Response (Hz)	Time Constant (Sec)	Operating Temp (°F)
3214A1	10	1 to 10000	0.5 to 1.5	-67 to +250
3214A3	500	1 to 10000	0.5 to 1.5	-67 to +225

Refer to the performance specifications of the products in this family for detailed description

PHYSICAL

Weight
Connector Type
Mounting Provision
Material, Housing/Connector
Sensing Element
Element Style

ENGLISH		SI	
0.35	oz	10	grams
10-32		10-32	
10-32 X .150 ↓		10-32 X .150 ↓	
Titanium		Titanium	
Ceramic		Ceramic	
Planar Shear		Planar Shear	

PERFORMANCE

Sensitivity, ± 5% [1]
Range for ± 5 Volts Output
Frequency Response, ± 10%
Resonant Frequency
Broad Band Resolution
Linearity [2]
Maximum Transverse sensitivity
Strain Sensitivity @ 250µε

100	mV/g	10	mV/m/s ²
50	g	491	m/s ²
1 to 10000	Hz	1 to 10000	Hz
> 36	kHz	> 36	kHz
0.0004	Grms	0.004	m/s ² rms
± 1	% F.S.	± 1	% F.S.
5	%	5	%
0.002	g/µε	0.02	m/s ² /µε

ENVIRONMENTAL

Maximum Vibration
Maximum Shock
Temperature Range
Seal

400	Gpeak	3924	m/s ² peak
2000	Gpeak	19620	m/s ² peak
-67 to +250	°F	-55 to 121	°C
Hermetic		Hermetic	

ELECTRICAL

Supply Current Range [3]
Compliance Voltage Range
Output Impedence, Typ
Bias Voltage
Discharge Time Constant

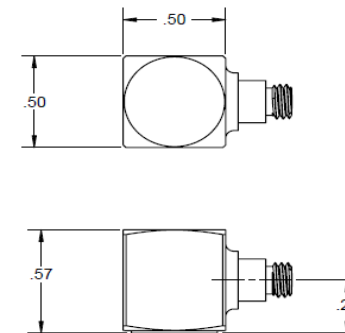
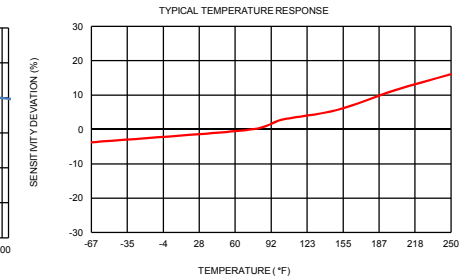
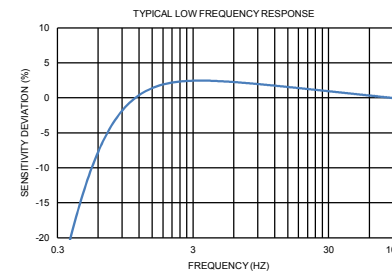
2 to 20	mA	2 to 20	mA
18 to +30	Volts	18 to +30	Volts
100	Ω	100	Ω
11 to 13	VDC	11 to 13	VDC
0.5 to 1.5	Sec	0.5 to 1.5	Sec

Supplied Accessories:

- 1) Accredited calibration certificate (ISO 17025)
- 2) Model 6200 mounting stud, qty 1

Notes:

- [1] Measured at 100Hz, 1 Grms per ISA RP 37.2.
- [2] Measure using zero-based straight line method, % of F.S. or any lesser range.
- [3] Do not apply power to this system without current limiting, 20 mA MAX. To do so will destroy the IC charge amplifier.
- [4] In the interest of constant product improvement, we reserve the right to change specifications without notice.



Units on the line drawing are in inches, units in brackets are in millimeters. Refer to 127-3214A for more information.



21592 Marilla Street, Chatsworth, California 91311 Phone: 818.700.7818 Fax: 818.700.7880 www.dytran.com
For permission to reprint this content, please contact info@dytran.com