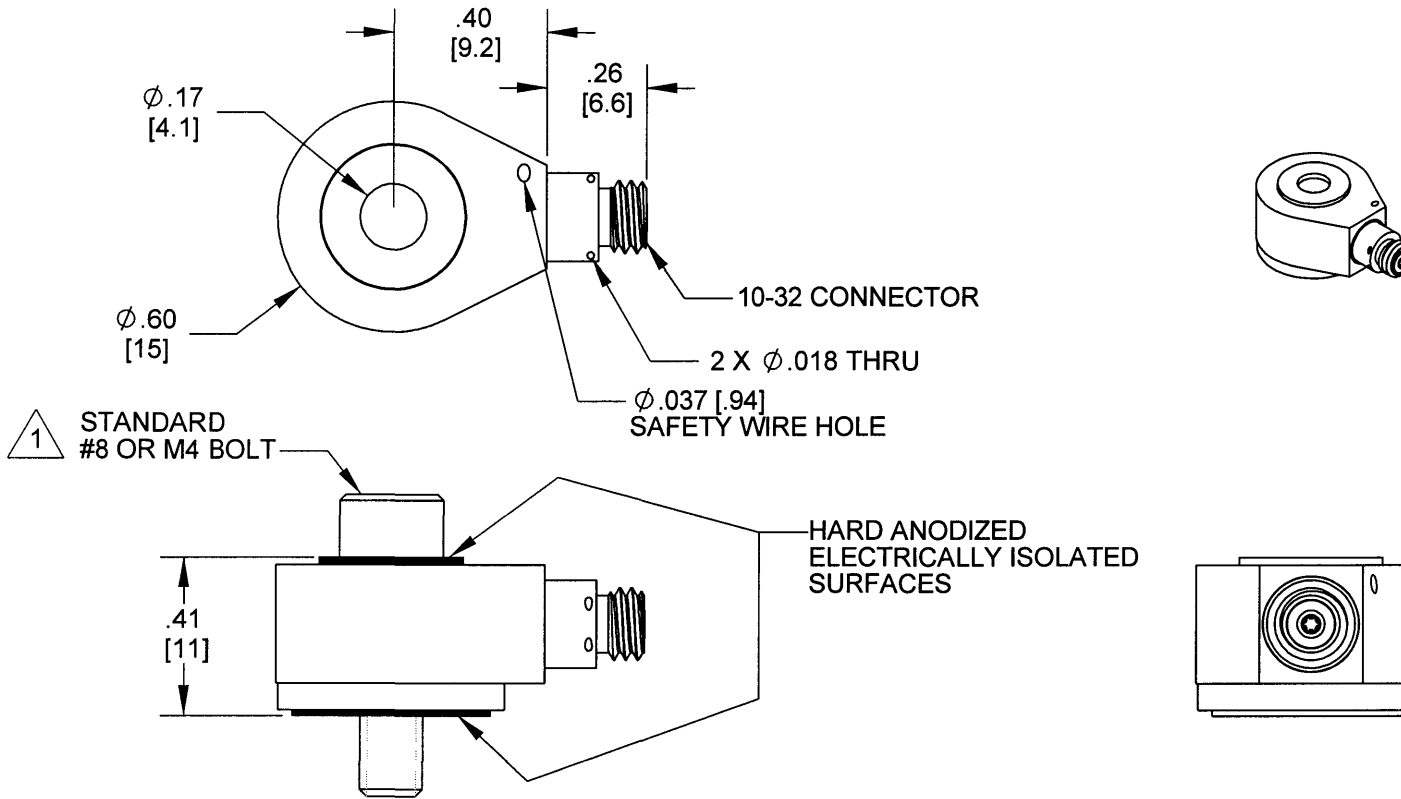


PROPRIETARY AND CONFIDENTIAL

REVISIONS

THE INFORMATION CONTAINED IN THIS DRAWING IS THE SOLE PROPERTY OF DYTRAN INSTRUMENTS INC. ANY REPRODUCTION IN PART OR AS A WHOLE WITHOUT THE WRITTEN PERMISSION OF DYTRAN INSTRUMENTS, INC. IS PROHIBITED

REV.	ECN	DESCRIPTION	BY/DATE	CHK	APPR
A	5279	ADDED NOTE 1	RA, 6/12/08	RS	DV



1 STANDARD #8 OR M4 BOLT

HARD ANODIZED ELECTRICALLY ISOLATED SURFACES

1 TORQUE MOUNTING BOLT TO: 15-20 LB-INCHES.

3211A1: 10mV/g
3211A2: 100mV/g

NOTES: UNLESS OTHERWISE SPECIFIED.

DRILL HOLE SIZE	TOLERANCE
.0135 THRU .125	+0.004 / -.001
.1260 THRU .250	+0.005 / -.001
.2510 THRU .500	+0.006 / -.001
.5010 THRU .750	+0.008 / -.001
.7510 THRU 1.000	+0.010 / -.001
1.001 THRU 2.000	+0.012 / -.001

UNLESS OTHERWISE SPECIFIED:
INTERPRET DIM & TOL PER ASME Y14.5M - 1994.
REMOVE BURRS.
COUNTERSINK INTERNAL THDS 90° TO MAJOR DIA.
CHAM EXT THDS 45° TO MINOR DIA.
THD LENGTHS AND DEPTHS ARE FOR MIN FULL THDS.
THDS PER MIL-S-7742.
DIMENSIONS APPLY AFTER FINISHING.
ALL MACHINED SURFACES.
TOTAL RUNOUT WITHIN .005.
BREAK SHARP EDGES .005 TO .010.
MACHINED FILLET RADII .005 TO .015.
WELDING SYMBOLS PER AWS A2.4.
ABBREVIATIONS PER MIL-STD-12.

UNLESS OTHERWISE SPECIFIED:
DIMENSIONS ARE IN INCHES.
TOLERANCES ARE:

DECIMALS ANGLES
.XX ± .010 ± 1°
.XXX ± .005

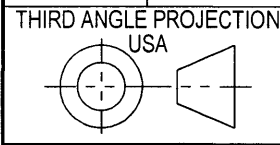
MATERIAL	APPROVALS		DATE
FINISH	ORIG	PML	4/1/2005
	CHK		
	APP	PML	12/9/05
	APP		

CONTRACT NO.



MASTER ONLY IF IN RED

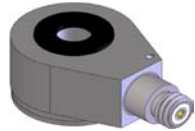
TITLE: **OUTLINE DRAWING, MODEL 3211A**



SIZE	CAGE CODE	DWG. NO.	REV
A	2W033	127-3211A	A
SCALE: 2:1		SOLIDWORKS	SHEET 1 OF 1

IEPE ACCELEROMETER

REV E, ECN 11029, 05/28/14



- EXCELLENT LINEARITY
- HERMETICALLY SEALED

This family also includes:

Model	Sensitivity (mV/g)	Frequency Response (Hz)	Time Constant (Sec)	Operating Temp (°F)
3211A2	100	1 to 10000	0.8 to 2.0	-67 to 250

Refer to the performance specifications of the products in this family for detailed description

Supplied Accessories:

- 1) Accredited calibration certificate (ISO 17025)
- 2) Model 6595 mounting screw (8-32)
- 3) Model 6597 mounting Screw (M4x.7)

Notes:

- [1] Measured at 100Hz, 1 Grms per ISA RP 37.2.
- [2] Measure using zero-based straight line method, % of F.S. or any lesser range.
- [3] Electrical ground isolated from sensor mounting surface.
- [4] For acceleration into base.
- [5] Do not apply power to this system without current limiting, 20 mA MAX. To do so will destroy the IC charge amplifier.
- [6] In the interest of constant product improvement, we reserve the right to change specifications without notice.

PHYSICAL

		ENGLISH		SI	
Weight		0.35	oz	10	grams
Connector, coaxial	Type	10-32		10-32	
Mounting Provision, thru hole		Ø.17 thru hole	Inches	Ø 4.3 thru hole	mm
Material Body/Connector	Material	Titanium		Titanium	
Sensing Element		Quartz		Quartz	
Element Style		Shear		Shear	

PERFORMANCE

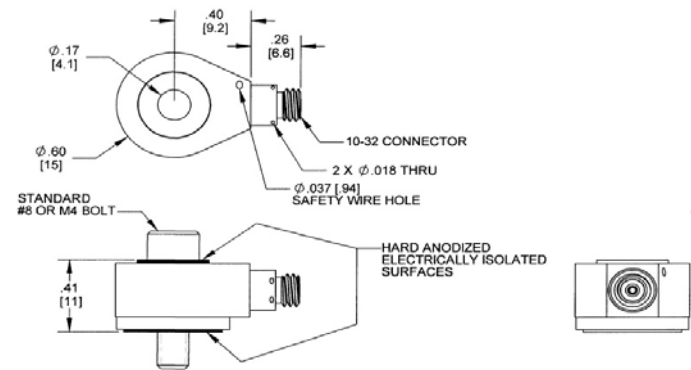
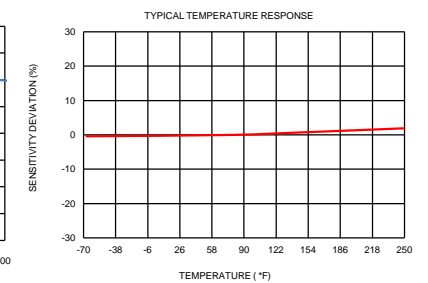
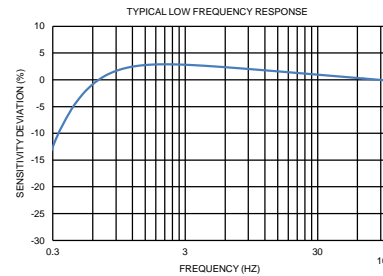
		ENGLISH		SI	
Sensitivity +/- 5% [1]		10	mV/g	1.02	mV/ m/s ²
Range for ± 5 Volts Output		± 500	g pk	± 490	m/s ²
Frequency Response, ± 5%		1.0 to 10000	Hz	1.0 to 10000	Hz
Resonant Frequency		> 31	kHz	> 31	kHz
Equivalent Electrical Noise Floor, 1Hz to 10kHz		0.005	g rms	0.049	m/s ² rms
Linearity [2]		± 1%	%F.S	± 1%	%F.S
Maximum Transverse Sensitivity		5%		5%	
Strain Sensitivity @250µε		0.04	g/µε	0.39	m/s ² µε

ENVIROMENTAL

		ENGLISH		SI	
Maximum Vibration		500	±gpk	4905	± m/s ² pk
Maximum Shock		5000	±gpk	49050	± m/s ² pk
Temperature Range		-67 to +250	°F	-51 to +121	°C
Seal		Hermetic		Hermetic	
Coefficient Of Thermal Sensitivity		0.06	%/°F	0.108	%/°C
Magnetic Sensitivity @ 100 Gauss (0.01 Tesla)		0.004	g/Gauss	392.40	m/s ² /T

ELECTRICAL

		ENGLISH		SI	
Supply Current		2 to 20	mA	2 to 20	mA
Compliance Voltage Range		18 to 30	V	18 to 30	V
Output Impedence, Typ		120	Ω	120	Ω
Bias Voltage		+11 to +13	VDC	+11 to +13	VDC
Discharge Time Constant		0.8 to 2.0	sec	0.8 to 2.0	sec
Electrical Isolation [3]		10	GΩ	10	GΩ
Output Signal Polarity [4]		positive		positive	



Units on the line drawing are in inches, units in brackets are in millimeters. Refer to 127-3211A for more information.

