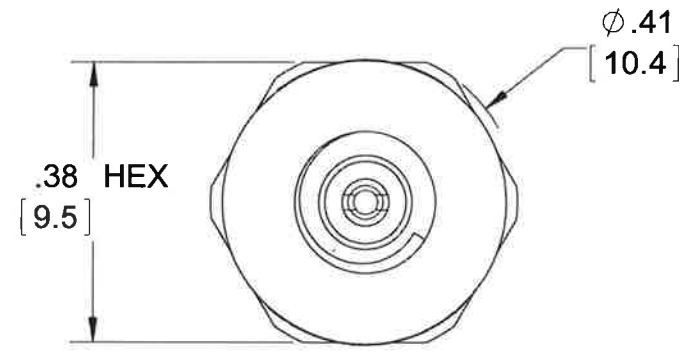


PROPRIETARY AND CONFIDENTIAL

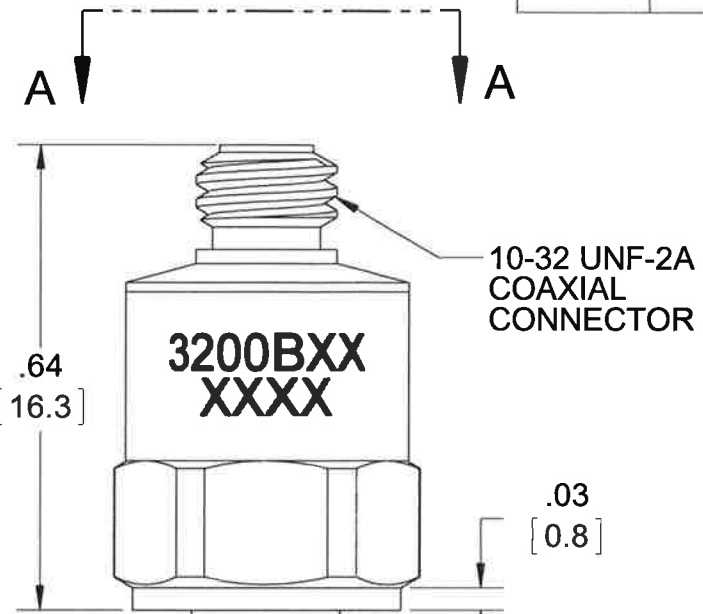
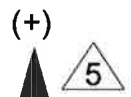
THE INFORMATION CONTAINED IN THIS DRAWING IS THE SOLE PROPERTY OF DYTRAN INSTRUMENTS INC. ANY REPRODUCTION IN PART OR AS A WHOLE WITHOUT THE WRITTEN PERMISSION OF DYTRAN INSTRUMENTS INC. IS PROHIBITED

REVISIONS

REV.	ECN	DESCRIPTION	BY/DATE	CHK	APPR
E	11055	UPDATED VIEWS. CONVERTED TO SOLIDWORKS	EC 07/02/14	JLS	



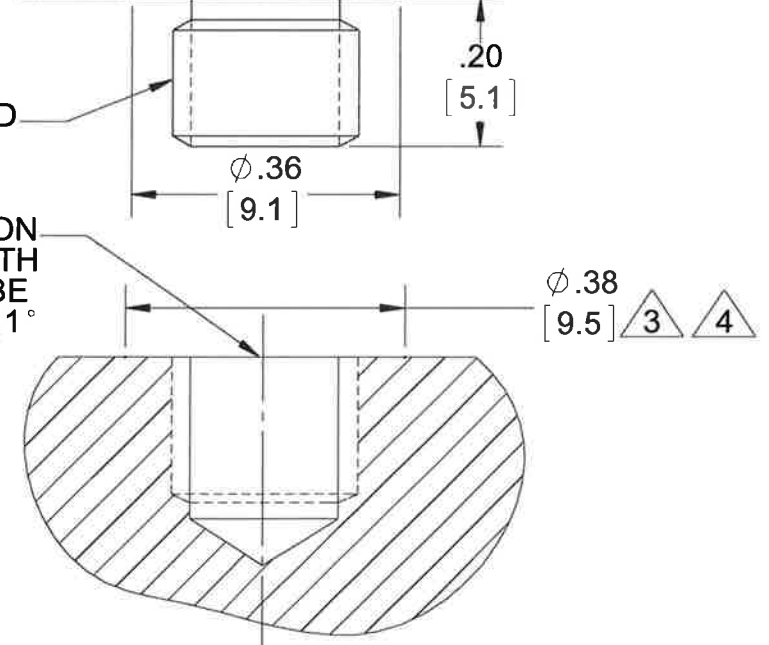
VIEW A-A



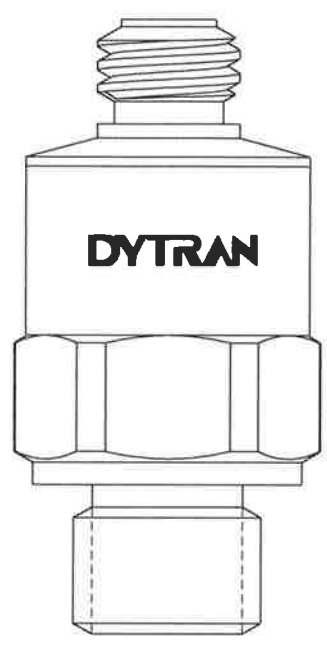
10-32 UNF-2A COAXIAL CONNECTOR

1/4-28 UNF-2A THREAD

MOUNTING HOLE PREPARATION
TAP 1/4-28 UNF-2B X .25 [6.4] MIN DEPTH OF PERFECT THREAD. HOLE TO BE PERPENDICULAR WITHIN ±1°



3200B SERIES



5 ARROW INDICATES SENSE AND DIRECTION OF ACCELERATION FOR POSITIVE - GOING OUTPUT SIGNAL

4 PREPARE FLAT SURFACE TO THIS DIA. WITH A FINISH OF OR BETTER AND FLAT TO .001 TIR.

3 PREPARE MOUNTING SURFACE AS SHOWN. APPLY A LAYER OF SILICONE GREASE TO MOUNTING SURFACE. TORQUE IN PLACE WITH 50 LB-IN.

2. HOUSING MATERIAL: 17-4 PH STAINLESS STEEL

1. WEIGHT: 6 GRAMS MAX

NOTES: UNLESS OTHERWISE SPECIFIED

UNLESS OTHERWISE SPECIFIED: INTERPRET DIM & TOL PER ASME Y14.5M - 1994. REMOVE BURRS. COUNTERSINK INTERNAL THDS 90° TO MAJOR DIA. CHAM EXT THDS 45° TO MINOR DIA. THD LENGTHS AND DEPTHS ARE FOR MIN FULL THDS. DIMENSIONS APPLY AFTER FINISHING.		UNLESS OTHERWISE SPECIFIED: DIMENSIONS ARE IN INCHES. DIMENSIONS IN BRACKETS [] ARE IN MILLIMETERS TOLERANCES ARE:											
DECIMALS .XX ±.03 .XXX ±.010	METRIC .X ± 0.8 .XX ±0.25	ANGLES ±1°	<table border="1"> <thead> <tr> <th>APPROVALS</th> <th>DATE</th> </tr> </thead> <tbody> <tr> <td>ORIG NC</td> <td>11/30/81</td> </tr> <tr> <td>CHK NC</td> <td>11/30/81</td> </tr> <tr> <td>APP </td> <td>8/8/14</td> </tr> </tbody> </table>		APPROVALS	DATE	ORIG NC	11/30/81	CHK NC	11/30/81	APP	8/8/14	TITLE: OUTLINE/INSTALLATION DRAWING, SERIES 3200B, LIVM, SHOCK ACCELEROMETERS
APPROVALS	DATE												
ORIG NC	11/30/81												
CHK NC	11/30/81												
APP	8/8/14												
ALL MACHINED SURFACES. TOTAL RUNOUT WITHIN .005. BREAK SHARP EDGES .005 TO .010. MACHINED FILLET RADII .005 TO .015. WELDING SYMBOLS PER AWS A2.4. ABBREVIATIONS PER MIL-STD-12.			DO NOT SCALE DRAWING	THIRD ANGLE PROJECTION USA	<table border="1"> <tr> <td>SIZE B</td> <td>CAGE CODE 2W033</td> <td>DWG NO 127-3200B</td> <td>REV E</td> </tr> </table>	SIZE B	CAGE CODE 2W033	DWG NO 127-3200B	REV E				
SIZE B	CAGE CODE 2W033	DWG NO 127-3200B	REV E										
SCALE: 4:1				SHEET 1 OF 1									

MODEL NUMBER 3200B2	PERFORMANCE SPECIFICATION	DOC NO PS3200B2
	SINGLE AXIS ACCELEROMETER, IEPE	REV C, ECN 14019, 02/08/18



**LIGHTWEIGHT
HIGH NATURAL FREQUENCY
BASE ISOLATED**

PHYSICAL

Weight	0.21 oz	6.0 grams
Mounting Provision	1/4-28 UNF-2A	1/4-28 UNF-2A
Connector	Coaxial	Coaxial
Material Body	10-32 UNF-2A	10-32 UNF-2A
Sensing Element	17-4 PH S.S.	17-4 PH S.S.
	Quartz	Quartz
	Compression	Compression

ENGLISH	SI
0.21 oz	6.0 grams
1/4-28 UNF-2A	1/4-28 UNF-2A
Coaxial	Coaxial
10-32 UNF-2A	10-32 UNF-2A
17-4 PH S.S.	17-4 PH S.S.
Quartz	Quartz
Compression	Compression

PERFORMANCE

	ENGLISH	SI
Sensitivity +/- 10% [1]	0.1 mV/g	0.01 mV/m/s ²
Maximum Range F.S.	50000 g	490000 m/s ²
Frequency Response, ± 5%	.50 to 10000 Hz	.50 to 10000 Hz
± 10%	.35 to 20000 Hz	.35 to 20000 Hz
± 3db	.16 to >50000 Hz	.16 to >50000 Hz
Mounted Resonant Frequency	> 90 kHz	> 90 kHz
Electrical Noise	0.7 Grms	6.9 m/s ² rms
Linearity [2]	± 1% %F.S	± 1% %F.S
Transverse Sensitivity, Max.	3 %	3 %

ENVIRONMENTAL

	ENGLISH	SI
Maximum Shock (peak)	± 100000 G peak	± 981000 m/s ² peak
Temperature Range	-60 to +250 °F	-51 to +121 °C
Seal	Epoxy	Epoxy

ELECTRICAL

	ENGLISH	SI
Power Supply [3]	2 to 20 mA	2 to 20 mA
Compliance Voltage Range	+18 to +30 V	+18 to +30 V
Output Impedance	100 Ω	100 Ω
Bias Voltage	+7.5 to +9.5 VDC	+7.5 to +9.5 VDC
Discharge Time Constant	1 to 1.5 sec	1 to 1.5 sec
Electrical Isolation [4]	10 GΩ	10 GΩ
Grounding	Base Isolated	Base Isolated

This family also includes:

Model	Sensitivity (mV/g)	Range (Gpeak)	Resolution (Grms)	Oper. Temp(°F)	Time Constant (Sec)
3200B	0.05	70000	1.4	-60 to +250	1.0 to 1.5
3200B3	0.25	20000	0.28	-60 to +250	1.0 to 1.5
3200B4	0.5	10000	0.14	-60 to +250	1.0 to 1.5
3200B5	1.0	5000	0.07	-60 to +250	1.0 to 1.5
3200B6	2.0	2500	0.035	-60 to +250	1.0 to 1.5

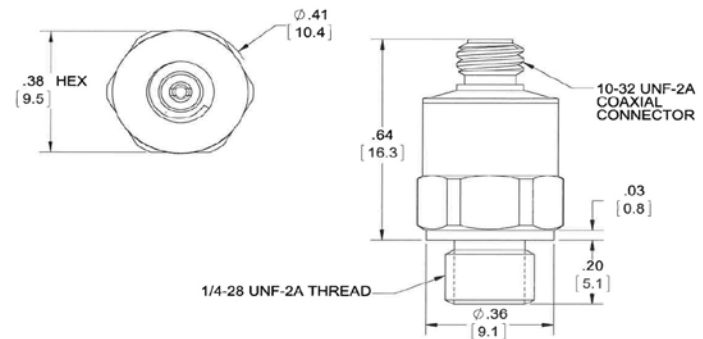
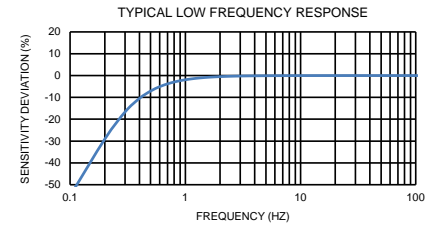
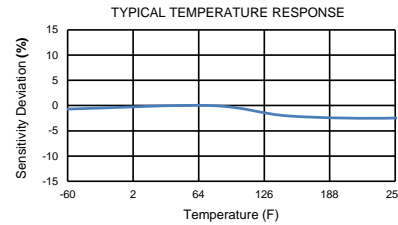
Refer to the performance specifications of the products in this family for detailed description.

Supplied Accessories:

- 1) Accredited calibration certificate (ISO 17025)

Notes:

- [1] Measured at 100 Hz, 1 GRMS per ISA RP 37.2.
- [2] Measured using zero-based best straight-line method, % of F.S. or any lesser range.
- [3] Do not apply power to this device without current limiting, 20 mA MAX. To do so will destroy the integral IC amplifier.
- [4] Case ground to mounting surface.



Units on the line drawing are in inches, units in brackets are in millimeters. Refer to 127-3200B for more information.



21592 Marilla Street, Chatsworth, California 91311 Phone: 818.700.7818 Fax: 818.700.7880 www.dytran.com For permission to reprint this content, please contact info@dytran.com