

PROPRIETARY AND CONFIDENTIAL

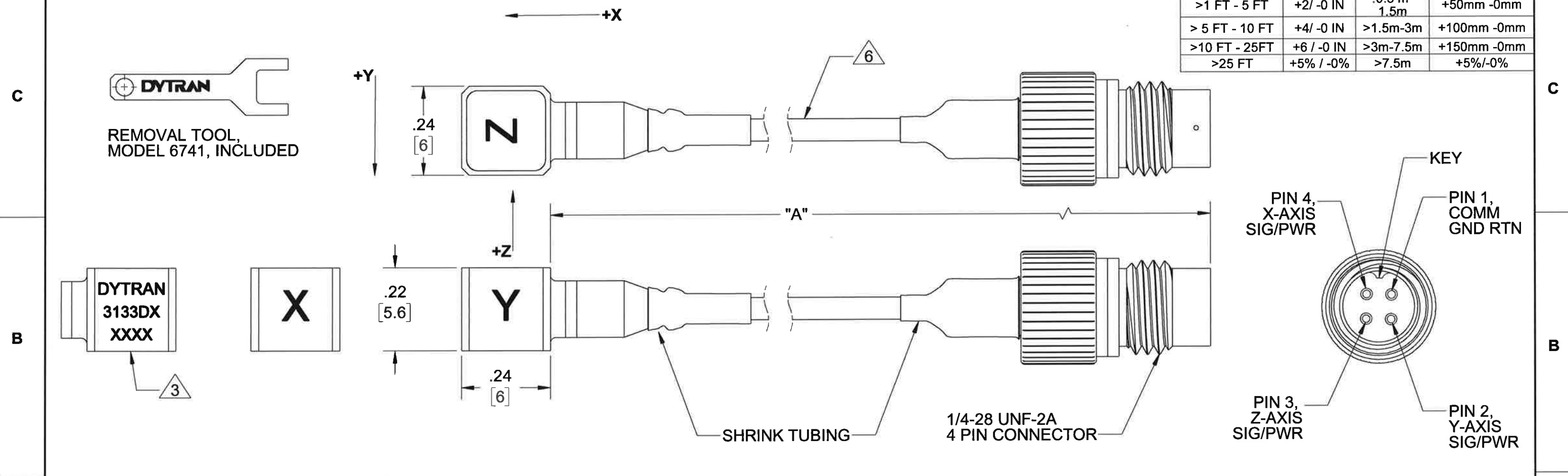
THE INFORMATION CONTAINED IN THIS DRAWING IS THE SOLE PROPERTY OF DYTRAN INSTRUMENTS INC. ANY REPRODUCTION IN PART OR AS A WHOLE WITHOUT THE WRITTEN PERMISSION OF DYTRAN INSTRUMENTS INC. IS PROHIBITED

MODEL	SENSITIVITY	DIM "A"
3133D1	10 mV/g (±15%)	36.00
3133D2	2 mV/g (±25%)	36.00
3133D3	5 mV/g (±20%)	36.00
3133D4	0.7 mV/g (±25%)	36.00
3133D5	0.25 mV/g (±25%)	36.00

6 4-WIRE CABLE	
WIRE	36 AWG, 7/44 SILVER PLATED COPPER
WIRE INSULATION	PFA, .006 NOMINAL WALL
SHIELD	44 AWG SILVER PLATED SOFT COPPER BRAID
JACKET	PFA, WHITE, .006 INCH NOMINAL WALL
DIAMETER	Ø .045 NOMINAL
TEMP	-196 TO +200 DEG C
VOLTAGE	150 VOLTS AC

REVISIONS					
REV.	ECN	DESCRIPTION	BY/DATE	CHK	APPR
C	13002	ZONE 4B .22 [5.6] WAS" .23 [5.8], ZONE 3B .24 [6] WAS: Ø .18 [4.6], NOTE 3 Ø .39 WAS: Ø .20	JS 10/02/16	LA	W

CABLE LENGTH TOLERANCE			
ENGLISH		[METRIC]	
≤1FT	+1/ -0 IN	≤0.3m	+25mm -0mm
>1 FT - 5 FT	+2/ -0 IN	.0.3 m-1.5m	+50mm -0mm
> 5 FT - 10 FT	+4/ -0 IN	>1.5m-3m	+100mm -0mm
>10 FT - 25FT	+6 / -0 IN	>3m-7.5m	+150mm -0mm
>25 FT	+5% / -0%	>7.5m	+5%/-0%



- 6 SEE TABLE FOR 4 WIRE CABLE SPECIFICATIONS.
 - 5. DYTRAN MODEL 6298 PETRO MOUNTING WAX AND MODEL 6741 REMOVAL TOOL, SUPPLIED.
 - 4. ARROWS INDICATE DIRECTION OF ACCELERATION FOR POSITIVE OUTPUT.
 - 3 FOR BEST FREQUENCY RESPONSE, PREPARE A FLAT MOUNTING SURFACE OF AT LEAST Ø .39, FLAT TO .0001 TIR. APPLY ONE DROP OF CYANOACRYLATE ADHESIVE TO MOUNT THE ACCELEROMETER.
 - 2. HOUSING MATERIAL: TITANIUM ALLOY.
 - 1. WEIGHT: 0.8 GRAMS MAX, LESS CABLE.
- NOTES: UNLESS OTHERWISE SPECIFIED

UNLESS OTHERWISE SPECIFIED: INTERPRET DIM & TOL PER ASME Y14.5M - 1994. REMOVE BURRS. COUNTERSINK INTERNAL THDS 90° TO MAJOR DIA. CHAM EXT THDS 45° TO MINOR DIA. THD LENGTHS AND DEPTHS ARE FOR MIN FULL THDS. DIMENSIONS APPLY AFTER FINISHING.		UNLESS OTHERWISE SPECIFIED: DIMENSIONS IN BRACKETS [] ARE IN MILLIMETERS TOLERANCES ARE:			
DECIMALS .XX ±.03 .XXX ±.010	METRIC .X ± 0.8 .XX ±0.25	ANGLES ±1°		TITLE: OUTLINE/INSTALLATION DWG, MINIATURE TRIAXIAL ACCEL, 3133D SERIES	
APPROVALS		DATE		SIZE	CAGE CODE
ORIG	LN	05/26/15		B	2W033
CHK	LN	12/22/15		DWG NO	127-3133D
APP	AS	12/23/15		REV	C
DO NOT SCALE DRAWING		THIRD ANGLE PROJECTION USA		SCALE:	1:1
				SHEET 1 OF 1	



- **ULTRA MINIATURE SIZE**
- **IDEAL LOW FREQUENCY RESPONSE**
- **LOW BASE STRAIN SENSITIVITY**
- **HERMETICALLY SEALED**

	ENGLISH		SI	
Weight	0.03	oz	0.8	grams
Mounting	Adhesive		Adhesive	
Integral Cable	3	ft	914	mm
Connector	4-pin		4-pin	
Housing	Titanium		Titanium	
Isolation	Case Ground		Case Ground	
Sensing Element	Ceramic		Ceramic	
Mode	Shear		Shear	

PHYSICAL
 Weight
 Mounting
 Integral Cable
 Connector
 Housing
 Sensing Element
 Mode

PERFORMANCE
 Sensitivity [1], [2], ± 25%
 Acceleration Range
 Frequency Range, ±5%
 Frequency Range, ±10%
 Linearity [4]
 Resonance Frequency
 Transverse Sensitivity
 Output Impedance
 Noise floor, Max.

ENVIRONMENTAL
 Maximum Shock
 Maximum Vibration
 Operating Temperature
 Seal
 Magnetic Sensitivity at 100 Gauss
 Base Strain Sensitivity

ELECTRICAL
 Compliance Voltage
 Current Range [4]
 Bias Voltage
 Discharge Time Constant
 Output Impedance

10	mV/g	1.0	mV/m/s ²
500	Gpeak	4905	m/s ² peak
0.3 to 6000	Hz	0.3 to 6000	Hz
0.25 to 10000	Hz	0.25 to 10000	Hz
± 1	% F.S.	± 1	% F.S.
>27	kHz	>27	kHz
6	%	6	%
100	Ω	100	Ω
0.02	Grms	0.20	m/s ² rms
3,000	Gpeak	29430	m/s ²
900	Gpeak	8829	m/s ²
-67 to +320	°F	-55 to 160	°C
Hermetic		Hermetic	
0.0002	g/Gauss	0.002	m/s ² /Gauss
0.001	g/με	0.01	m/s ² /με
+18 to +30	VDC	+18 to +30	VDC
2 to 20	mA	2 to 20	mA
+8 to +10	VDC	+8 to +10	VDC
1.1 to 1.7	seconds	1.1 to 1.7	seconds
100	Ω	100	Ω

This family also includes:

Model	Sensitivity (mV/g)	Range (Gpeak)	Resolution (Grms)	Oper. Temp(°F)	TC
3133D2	2	2,500	0.15	-67 to 320	0.3 to 2.5
3133D3	5	1,000	0.06	-67 to 320	1.1 to 1.7
3133D4	0.7	5,000	0.3	-67 to 320	0.5 to 2.5
3133D5	0.25	20,000	0.5	-67 to 320	0.5 to 4.0

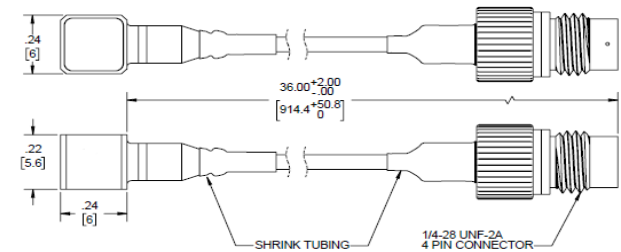
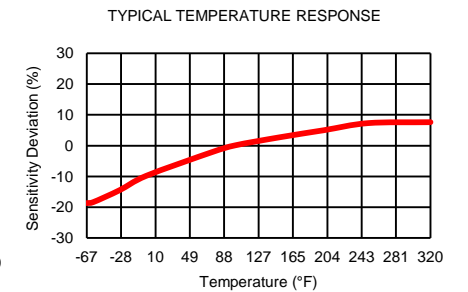
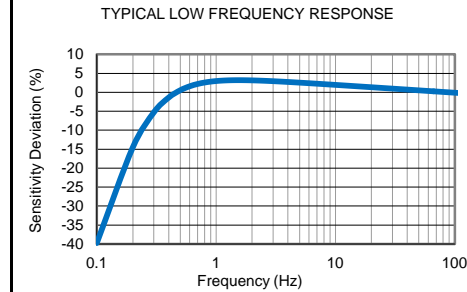
Refer to the performance specifications of the products in this family for detailed description

Supplied Accessories:

- 1) Model 6298 small petro wax
- 2) Model 6741 removal tool
- 3) Accredited calibration certificate (ISO 17025)

Notes:

- [1] Measured at 100 Hz, 10 Grms
- [2] Actual sensitivity is given on a calibration certificate
- [3] Do not apply power to this device without current limiting, 20mA max, to do so will destroy the integral IC amplifier
- [4] Measured using zero-based straight line method, % of F.S. or any lesser range.



Units on the line drawing are in inches, units in brackets are in millimeters. Refer to 127-3133D for more information.

