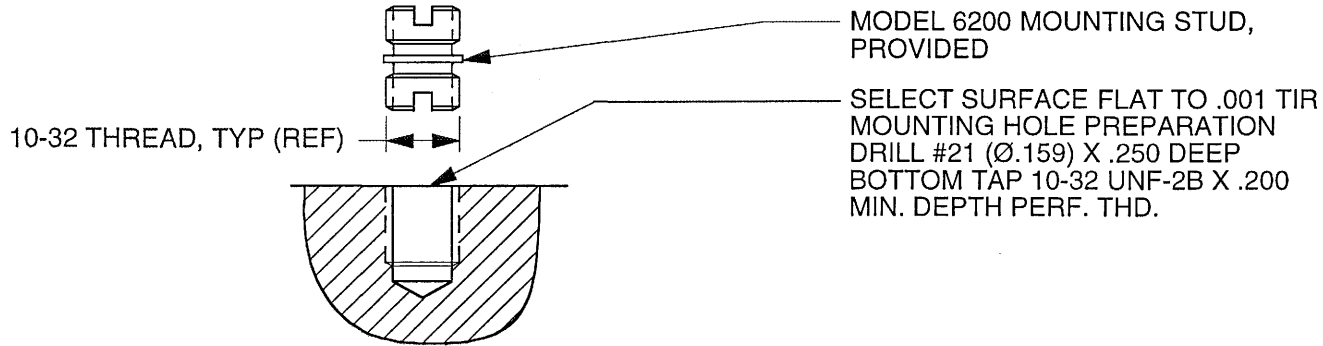
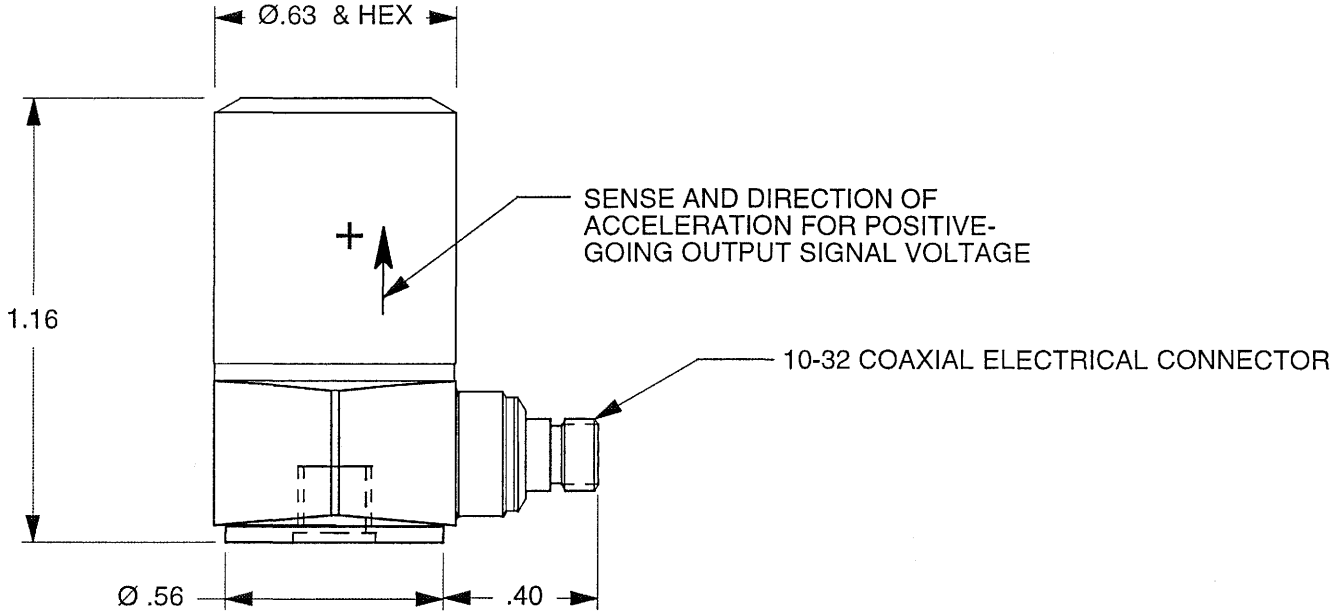


REV	ECN	DESCRIPTION	BY/DATE	CHK	APPR
B	4739	REMOVED: WELD GROOVES	RLA 6/27/07	CS	CS



- WEIGHT-58 GRAMS.
- CASE MATERIAL-300 SERIES STAINLESS STEEL.
- MOUNTING TORQUE ON 5/8 HEX: 20 TO 25 LB-INCHES. DO NOT OVER TORQUE.

		<h1>MASTER ONLY IF IN RED</h1>		CHATSWORTH, CA.	
SCALE	2X	REV	-	DATE	SEE REV BLOCK
DATE	1/10/98	PART NO.	-	ECN	-
DRAWN	N.C.	CHECKED	R.A.	MAT'L	-
APPROVED	N.C.	8/6/02	NEXT ASSEMBLY	USED ON	-
TITLE				DWG NO.	
OUTLINE/INSTALLATION DRAWING, MODEL 3100D24				127-3100D24	
				SHEET 1 OF 1	

Model Number
3100D24

PERFORMANCE SPECIFICATIONS

DOC NO
PS3100D24

IEPE ACCELEROMETER

REV A, ECN 11755, 02/11/15



- HIGH SENSITIVITY
- HERMETICALLY SEALED
- CASE ISOLATED

This family also includes:

Model	Sensitivity (mV/g)	Frequency Response (Hz)	Time Constant (Sec)	Operating Temp (°F)

Refer to the performance specifications of the products in this family for detailed description

Supplied Accessories:

- 1) Accredited calibration certificate (ISO 17025)
- 2) Mounting stud, Model 6200 (10-32 UNF-2A to 10-32 UNF-2A), Qty: 1
- 3) Thermal Boot, Model 6215, Qty: 1

Notes:

- [1] Measured at 100Hz, 1 Grms per ISA RP 37.2.
- [2] Measured using zero-based straight line method, % of F.S. or any lesser range.
- [3] Do not apply power to this system without current limiting, 20 mA MAX. To do so will destroy the IC charge amplifier.
- [4] In the interest of constant product improvement, we reserve the right to change specifications without notice.

PHYSICAL

Weight, Max.
Connector, Type
Material, Housing & Connector
Sensing Element
Mounting Provision

ENGLISH		SI	
1.9	oz	55	grams
10-32 UNF-2A		10-32 UNF-2A	
300 Series S.S.		300 Series S.S.	
Ceramic		Ceramic	
10-32 UNF-2A		10-32 UNF-2A	

PERFORMANCE

Sensitivity, ±10% [1]
Range for ± 5 Volts Output
Frequency Response, ±5%
Resonant Frequency
Broadband Resolution, Max.
Spectral Noise, Typ.
Linearity [2]
Transverse Sensitivity, Max.

1,000	mV/g	102	mV/m/s ²
±5	g	±9810	m/s ²
1 to 1000	Hz	1 to 1000	Hz
>26	kHz	>26	kHz
0.000075	Grms	0.0007	m/s ² rms
0.9	µGrms/√(Hz)	8.5	µm/s ² rms/√(Hz)
4.3	µGrms/√(Hz)	42.5	µm/s ² rms/√(Hz)
3.3	µGrms/√(Hz)	32.0	µm/s ² rms/√(Hz)
0.6	µGrms/√(Hz)	6.2	µm/s ² rms/√(Hz)
±2	% F.S.	±2	% F.S.
5	%	5	%

ENVIRONMENTAL

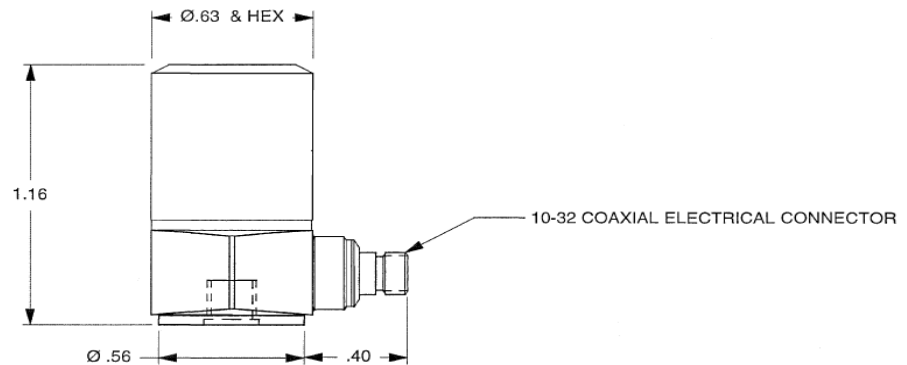
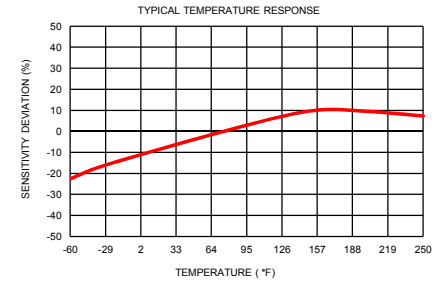
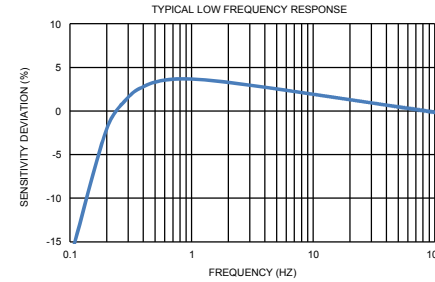
Maximum Vibration
Maximum Shock
Temperature Range
Coefficient of Thermal Sensitivity
Seal

±100	Gpeak	±981	m/s ² peak
±200	Gpeak	±1962	m/s ² peak
-60 to +250	°F	-51 to 121	°C
0.03	%/°F	0.06	%/°C
Hermetic		Hermetic	

ELECTRICAL

Supply Current Range [3]
Compliance Voltage Range
Output Impedance, Typ
Bias Voltage
Discharge Time Constant
Electrical Isolation

2 to 20	mA	2 to 20	mA
+18 to +30	Volts	+18 to +30	Volts
100	Ω	100	Ω
+11 to +13	VDC	+11 to +13	VDC
0.5 to 2.0	Sec	0.5 to 2.0	Sec
10	GΩ,min	10	GΩ,min



Units on the line drawing are in inches, units in brackets are in millimeters. Refer to 127-3100D24 or more information.



21592 Marilla Street, Chatsworth, California 91311 Phone: 818.700.7818 Fax: 818.700.7880 www.dytran.com
For permission to reprint this content, please contact info@dytran.com