

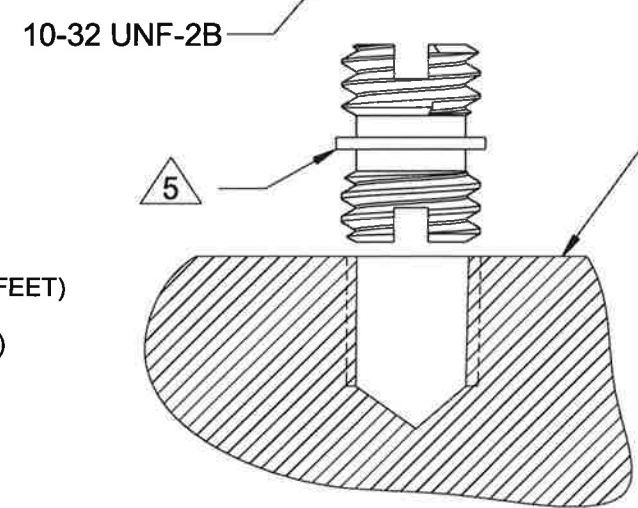
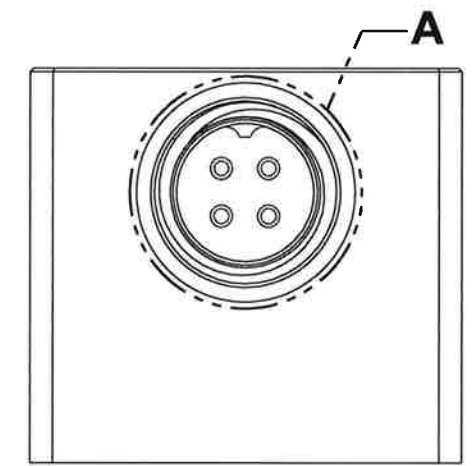
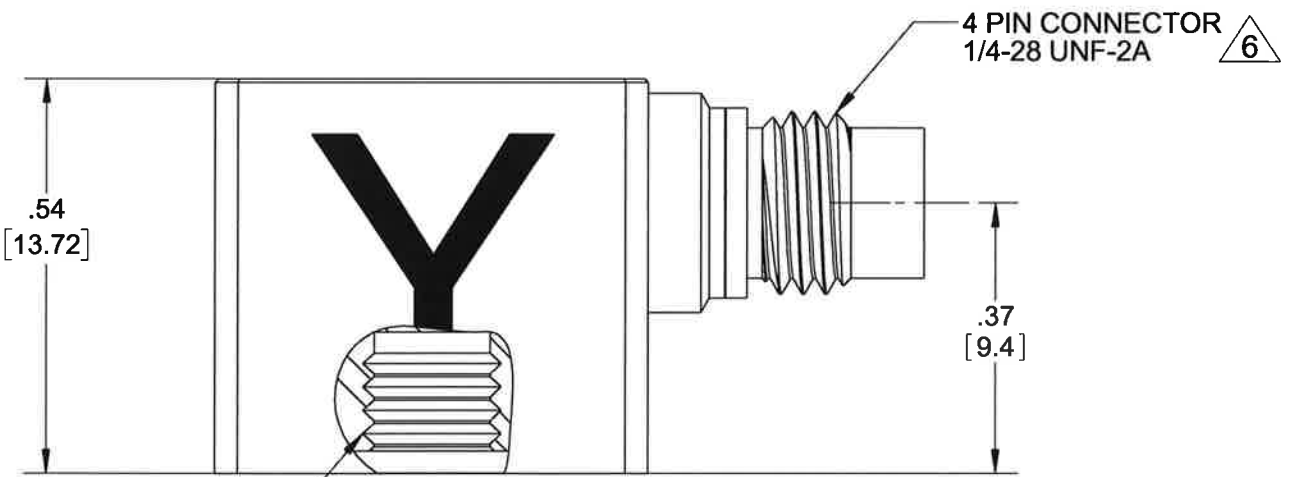
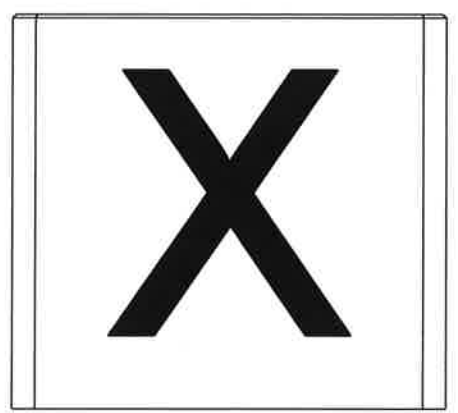
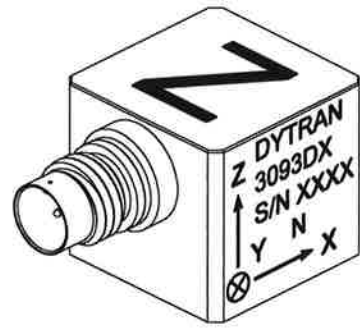
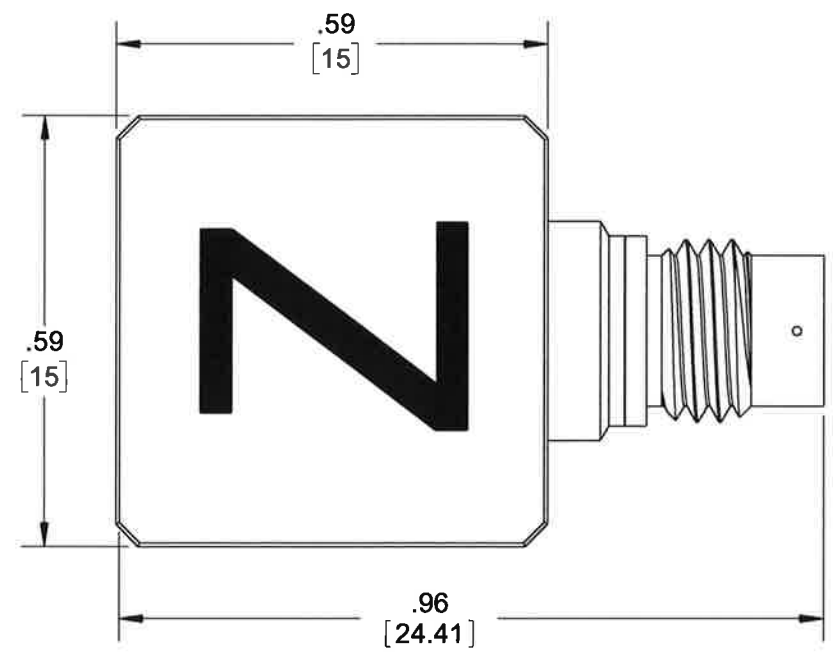
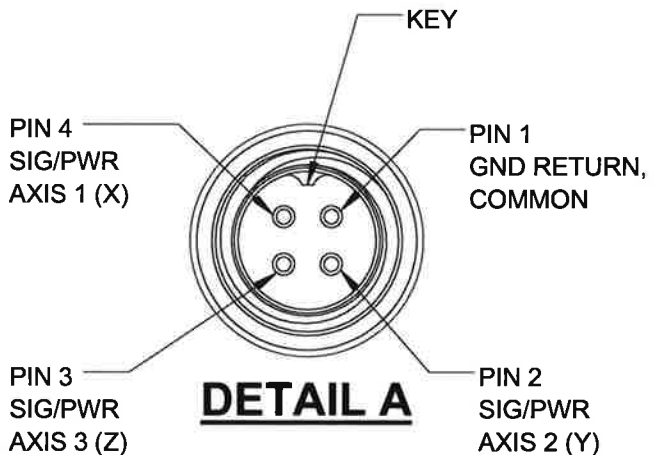
PROPRIETARY AND CONFIDENTIAL

THE INFORMATION CONTAINED IN THIS DRAWING IS THE SOLE PROPERTY OF DYTRAN INSTRUMENTS INC. ANY REPRODUCTION IN PART OR AS A WHOLE WITHOUT THE WRITTEN PERMISSION OF DYTRAN INSTRUMENTS INC. IS PROHIBITED

REVISIONS

REV.	ECN	DESCRIPTION	BY/DATE	CHK	APPR
A	11879	INITIAL RELEASE	JS 11/02/16	LA	LW

VARIATION TABLE	
MODEL NO.	SENSITIVITY
3093D1	1 mV/g
3093D2	5 mV/g
3093D3	10 mV/g
3093D4	20 mV/g
3093D5	25 mV/g
3093D6	50 mV/g
3093D7	100 mV/g



MOUNTING RECOMMENDATIONS:
 PREPARE MOUNTING SURFACE FLAT TO .001TIR.
 DRILL AND TAP 10-32 UNF-2B ∇ .188 [4.76] MINIMUM.
 RECOMMENDED MOUNTING TORQUE: 10-12 LB IN.
 FOR BEST FREQUENCY RESPONSE MOUNTING SURFACE
 MUST CONTACT ENTIRE ACCELEROMETER MOUNTING SURFACE.

- 6 MATES WITH DYTRAN CABLE 6811AXX (XX=LENGTH IN FEET)
 - 5 MOUNTING STUD 10-32 UNF-2A (MODEL 6200 SUPPLIED)
 - 4. ARROWS INDICATE ACCELERATION DIRECTION FOR POSITIVE OUTPUT.
 - 3. HOUSING AND CONNECTOR MATERIAL:TITANIUM
 - 2. WEIGHT: 10 GRAMS APPROX.
 - 1. ENVIRONMENTAL SEAL: HERMETIC
- NOTES: UNLESS OTHERWISE SPECIFIED

UNLESS OTHERWISE SPECIFIED:
 INTERPRET DIM & TOL PER ASME Y14.5M - 1994.
 REMOVE BURRS.
 COUNTERSINK INTERNAL THDS 90° TO MAJOR DIA.
 CHAM EXT THDS 45° TO MINOR DIA.
 THD LENGTHS AND DEPTHS ARE FOR MIN FULL THDS.
 DIMENSIONS APPLY AFTER FINISHING.

ALL MACHINED SURFACES:
 TOTAL RUNOUT WITHIN .005.
 BREAK SHARP EDGES .005 TO .010.
 MACHINED FILLET RADII .005 TO .015.
 WELDING SYMBOLS PER AWS A2.4.
 ABBREVIATIONS PER MIL-STD-12.

DECIMALS	METRIC	ANGLES
.XX ±.03	.X ± 0.8	±1°
.XXX ±.010	.XX ±0.25	

APPROVALS	DATE
ORIG JS	11/02/16
CHK LA	11/17/16
APP LW	11/17/16

DO NOT SCALE DRAWING


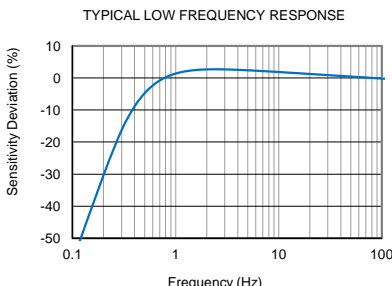
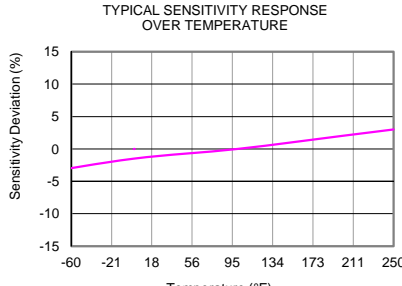
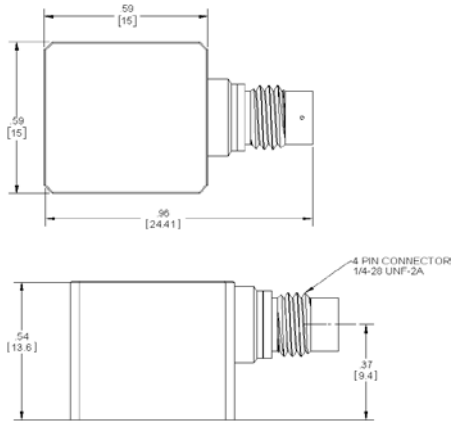
DYTRAN INSTRUMENTS, INC. Chatsworth, CA

MASTER COPY
 ONLY IN RED

TITLE: **OUTLINE/ INSTALLATION DRAWING 3093D1-7**

SIZE B	CAGE CODE 2W033	DWG NO 127-3093D	REV A
---------------	------------------------	-------------------------	--------------

SCALE: 4:1 SHEET 1 OF 1

Model Number	PERFORMANCE SPECIFICATION				DOC NO																																																																																																																																																																																																																
3093D7	Accelerometer, Triaxial, IEPE				PS3093D7																																																																																																																																																																																																																
 <ul style="list-style-type: none"> • CASE ISOLATED • HERMETICALLY SEALED • STUD MOUNTED 					REV A, ECN 11879, 11/04/16																																																																																																																																																																																																																
This family also includes: <table border="1"> <thead> <tr> <th>Model</th> <th>Sensitivity (mV/g)</th> <th>Range (Gpeak)</th> <th>Resolution (Grms)</th> <th>Oper. Temp (°F)</th> <th>TC</th> </tr> </thead> <tbody> <tr> <td>3093D2</td> <td>5</td> <td>1000</td> <td>0.014</td> <td>-60 to +250</td> <td>0.7 to 1.7</td> </tr> <tr> <td>3093D3</td> <td>10</td> <td>500</td> <td>0.007</td> <td>-60 to +250</td> <td>0.7 to 1.7</td> </tr> <tr> <td>3093D4</td> <td>20</td> <td>250</td> <td>0.0035</td> <td>-60 to +250</td> <td>0.7 to 1.7</td> </tr> <tr> <td>3093D5</td> <td>25</td> <td>200</td> <td>0.0028</td> <td>-60 to +250</td> <td>0.7 to 1.7</td> </tr> <tr> <td>3093D6</td> <td>50</td> <td>100</td> <td>0.0014</td> <td>-60 to +250</td> <td>0.7 to 1.7</td> </tr> </tbody> </table>					Model	Sensitivity (mV/g)	Range (Gpeak)	Resolution (Grms)	Oper. Temp (°F)	TC	3093D2	5	1000	0.014	-60 to +250	0.7 to 1.7	3093D3	10	500	0.007	-60 to +250	0.7 to 1.7	3093D4	20	250	0.0035	-60 to +250	0.7 to 1.7	3093D5	25	200	0.0028	-60 to +250	0.7 to 1.7	3093D6	50	100	0.0014	-60 to +250	0.7 to 1.7																																																																																																																																																																													
Model	Sensitivity (mV/g)	Range (Gpeak)	Resolution (Grms)	Oper. Temp (°F)	TC																																																																																																																																																																																																																
3093D2	5	1000	0.014	-60 to +250	0.7 to 1.7																																																																																																																																																																																																																
3093D3	10	500	0.007	-60 to +250	0.7 to 1.7																																																																																																																																																																																																																
3093D4	20	250	0.0035	-60 to +250	0.7 to 1.7																																																																																																																																																																																																																
3093D5	25	200	0.0028	-60 to +250	0.7 to 1.7																																																																																																																																																																																																																
3093D6	50	100	0.0014	-60 to +250	0.7 to 1.7																																																																																																																																																																																																																
Refer to performance specifications of products in this family for detailed description																																																																																																																																																																																																																					
Supplied Accessories: <ol style="list-style-type: none"> Model 6200 Mounting Stud Supplied, Qty: 1 Accredited Calibration Certificate (ISO 17025) 																																																																																																																																																																																																																					
Notes: <ol style="list-style-type: none"> Glass to Metal seal connector. Mates with Dytran cable Model 6811AXX (XX=length in feet) Measured at 100 Hz, 1 Grms per ISA RP 37.2 Measured using zero-based straight line method, % of F.S. or any lesser range. □ Do not apply power to this device without current limiting, 20mA Max. To do so will destroy the integral IC amplifier. In the interest of constant product improvement, we reserve the right to change specifications without notice. 																																																																																																																																																																																																																					
<table border="1"> <thead> <tr> <th colspan="2"></th> <th>ENGLISH</th> <th></th> <th>SI</th> <th></th> </tr> </thead> <tbody> <tr> <td colspan="6">PHYSICAL</td> </tr> <tr> <td>Weight, Max.</td> <td></td> <td>0.35</td> <td>oz</td> <td>10.0</td> <td>grams</td> </tr> <tr> <td>Mounting Stud Mount</td> <td></td> <td>10-32 UNF-2A</td> <td>screw</td> <td>10-32 UNF-2A</td> <td>screw</td> </tr> <tr> <td>Connector [1]</td> <td>Type</td> <td>4-pin, 1/4-28</td> <td></td> <td>4-pin, 1/4-28</td> <td></td> </tr> <tr> <td rowspan="3">Housing</td> <td>Material</td> <td>Titanium</td> <td></td> <td>Titanium</td> <td></td> </tr> <tr> <td>Material</td> <td>Titanium</td> <td></td> <td>Titanium</td> <td></td> </tr> <tr> <td>Isolation</td> <td>Case Isolated</td> <td></td> <td>Case Isolated</td> <td></td> </tr> <tr> <td rowspan="2">Sensing Element</td> <td>Material</td> <td>Ceramic</td> <td></td> <td>Ceramic</td> <td></td> </tr> <tr> <td>Mode</td> <td>Shear</td> <td></td> <td>Shear</td> <td></td> </tr> <tr> <td colspan="6">PERFORMANCE</td> </tr> <tr> <td>Sensitivity, +/-5% [2]</td> <td></td> <td>100</td> <td>mV/g</td> <td>10.2</td> <td>mV/m/s²</td> </tr> <tr> <td>Acceleration Range, ±</td> <td></td> <td>50</td> <td>Gpeak</td> <td>491</td> <td>m/s² peak</td> </tr> <tr> <td>Frequency Range, ±5%</td> <td></td> <td>.6-5000</td> <td>Hz</td> <td>.6-5000</td> <td>Hz</td> </tr> <tr> <td>Resonance Frequency</td> <td></td> <td>> 30</td> <td>kHz</td> <td>> 30</td> <td>kHz</td> </tr> <tr> <td>Linearity [3]</td> <td></td> <td>1</td> <td>%F.S.</td> <td>1</td> <td>%F.S.</td> </tr> <tr> <td>Transverse Sensitivity Max.</td> <td></td> <td>5</td> <td>%</td> <td>5</td> <td>%</td> </tr> <tr> <td>Noise floor</td> <td></td> <td>0.0007</td> <td>Grms</td> <td>0.01</td> <td>m/s² rms</td> </tr> <tr> <td rowspan="5">Spectral Noise</td> <td>1Hz</td> <td>200</td> <td>µGrms/sqr(Hz)</td> <td>1962</td> <td>µm/s² rms/sqr(Hz)</td> </tr> <tr> <td>10Hz</td> <td>140</td> <td>µGrms/sqr(Hz)</td> <td>1373.4</td> <td>µm/s² rms/sqr(Hz)</td> </tr> <tr> <td>100Hz</td> <td>90</td> <td>µGrms/sqr(Hz)</td> <td>882.9</td> <td>µm/s² rms/sqr(Hz)</td> </tr> <tr> <td>1000Hz</td> <td>50</td> <td>µGrms/sqr(Hz)</td> <td>490.5</td> <td>µm/s² rms/sqr(Hz)</td> </tr> <tr> <td>10000Hz</td> <td>20</td> <td>µGrms/sqr(Hz)</td> <td>196.2</td> <td>µm/s² rms/sqr(Hz)</td> </tr> <tr> <td colspan="6">ELECTRICAL</td> </tr> <tr> <td>Supply Current Range [4]</td> <td></td> <td>2 to 20</td> <td>mA</td> <td>2 to 20</td> <td>mA</td> </tr> <tr> <td>Compliance Voltage Range</td> <td></td> <td>+18 to +30</td> <td>VDC</td> <td>+18 to +30</td> <td>VDC</td> </tr> <tr> <td>Output Impedance, Typ.</td> <td></td> <td>100</td> <td>Ω</td> <td>100</td> <td>Ω</td> </tr> <tr> <td>Output Bias Voltage</td> <td></td> <td>+11 to +13</td> <td>VDC</td> <td>+11 to +13</td> <td>VDC</td> </tr> <tr> <td>Discharge Time Constant</td> <td></td> <td>0.7 to 1.7</td> <td>sec</td> <td>0.7 to 1.7</td> <td>sec</td> </tr> <tr> <td colspan="6">ENVIRONMENTAL</td> </tr> <tr> <td>Shock Max., ±</td> <td></td> <td>100</td> <td>g pk</td> <td>981</td> <td>m/s²</td> </tr> <tr> <td>Vibration Max., ±</td> <td></td> <td>60</td> <td>g pk</td> <td>589</td> <td>m/s²</td> </tr> <tr> <td>Operating Temperature</td> <td></td> <td>-60 to +250</td> <td>°F</td> <td>-51 to +121</td> <td>°C</td> </tr> <tr> <td>Seal</td> <td></td> <td>Hermetic</td> <td></td> <td>Hermetic</td> <td></td> </tr> <tr> <td>Magnetic Sensitivity at 100 Gauss</td> <td></td> <td>0.00007</td> <td>g/Gauss</td> <td>0.0007</td> <td>m/s²/Gauss</td> </tr> <tr> <td>Base Strain Sensitivity</td> <td></td> <td>0.05</td> <td>g/µε</td> <td>0.4905</td> <td>m/s²/µε</td> </tr> </tbody> </table>							ENGLISH		SI		PHYSICAL						Weight, Max.		0.35	oz	10.0	grams	Mounting Stud Mount		10-32 UNF-2A	screw	10-32 UNF-2A	screw	Connector [1]	Type	4-pin, 1/4-28		4-pin, 1/4-28		Housing	Material	Titanium		Titanium		Material	Titanium		Titanium		Isolation	Case Isolated		Case Isolated		Sensing Element	Material	Ceramic		Ceramic		Mode	Shear		Shear		PERFORMANCE						Sensitivity, +/-5% [2]		100	mV/g	10.2	mV/m/s ²	Acceleration Range, ±		50	Gpeak	491	m/s ² peak	Frequency Range, ±5%		.6-5000	Hz	.6-5000	Hz	Resonance Frequency		> 30	kHz	> 30	kHz	Linearity [3]		1	%F.S.	1	%F.S.	Transverse Sensitivity Max.		5	%	5	%	Noise floor		0.0007	Grms	0.01	m/s ² rms	Spectral Noise	1Hz	200	µGrms/sqr(Hz)	1962	µm/s ² rms/sqr(Hz)	10Hz	140	µGrms/sqr(Hz)	1373.4	µm/s ² rms/sqr(Hz)	100Hz	90	µGrms/sqr(Hz)	882.9	µm/s ² rms/sqr(Hz)	1000Hz	50	µGrms/sqr(Hz)	490.5	µm/s ² rms/sqr(Hz)	10000Hz	20	µGrms/sqr(Hz)	196.2	µm/s ² rms/sqr(Hz)	ELECTRICAL						Supply Current Range [4]		2 to 20	mA	2 to 20	mA	Compliance Voltage Range		+18 to +30	VDC	+18 to +30	VDC	Output Impedance, Typ.		100	Ω	100	Ω	Output Bias Voltage		+11 to +13	VDC	+11 to +13	VDC	Discharge Time Constant		0.7 to 1.7	sec	0.7 to 1.7	sec	ENVIRONMENTAL						Shock Max., ±		100	g pk	981	m/s ²	Vibration Max., ±		60	g pk	589	m/s ²	Operating Temperature		-60 to +250	°F	-51 to +121	°C	Seal		Hermetic		Hermetic		Magnetic Sensitivity at 100 Gauss		0.00007	g/Gauss	0.0007	m/s ² /Gauss	Base Strain Sensitivity		0.05	g/µε	0.4905	m/s ² /µε
		ENGLISH		SI																																																																																																																																																																																																																	
PHYSICAL																																																																																																																																																																																																																					
Weight, Max.		0.35	oz	10.0	grams																																																																																																																																																																																																																
Mounting Stud Mount		10-32 UNF-2A	screw	10-32 UNF-2A	screw																																																																																																																																																																																																																
Connector [1]	Type	4-pin, 1/4-28		4-pin, 1/4-28																																																																																																																																																																																																																	
Housing	Material	Titanium		Titanium																																																																																																																																																																																																																	
	Material	Titanium		Titanium																																																																																																																																																																																																																	
	Isolation	Case Isolated		Case Isolated																																																																																																																																																																																																																	
Sensing Element	Material	Ceramic		Ceramic																																																																																																																																																																																																																	
	Mode	Shear		Shear																																																																																																																																																																																																																	
PERFORMANCE																																																																																																																																																																																																																					
Sensitivity, +/-5% [2]		100	mV/g	10.2	mV/m/s ²																																																																																																																																																																																																																
Acceleration Range, ±		50	Gpeak	491	m/s ² peak																																																																																																																																																																																																																
Frequency Range, ±5%		.6-5000	Hz	.6-5000	Hz																																																																																																																																																																																																																
Resonance Frequency		> 30	kHz	> 30	kHz																																																																																																																																																																																																																
Linearity [3]		1	%F.S.	1	%F.S.																																																																																																																																																																																																																
Transverse Sensitivity Max.		5	%	5	%																																																																																																																																																																																																																
Noise floor		0.0007	Grms	0.01	m/s ² rms																																																																																																																																																																																																																
Spectral Noise	1Hz	200	µGrms/sqr(Hz)	1962	µm/s ² rms/sqr(Hz)																																																																																																																																																																																																																
	10Hz	140	µGrms/sqr(Hz)	1373.4	µm/s ² rms/sqr(Hz)																																																																																																																																																																																																																
	100Hz	90	µGrms/sqr(Hz)	882.9	µm/s ² rms/sqr(Hz)																																																																																																																																																																																																																
	1000Hz	50	µGrms/sqr(Hz)	490.5	µm/s ² rms/sqr(Hz)																																																																																																																																																																																																																
	10000Hz	20	µGrms/sqr(Hz)	196.2	µm/s ² rms/sqr(Hz)																																																																																																																																																																																																																
ELECTRICAL																																																																																																																																																																																																																					
Supply Current Range [4]		2 to 20	mA	2 to 20	mA																																																																																																																																																																																																																
Compliance Voltage Range		+18 to +30	VDC	+18 to +30	VDC																																																																																																																																																																																																																
Output Impedance, Typ.		100	Ω	100	Ω																																																																																																																																																																																																																
Output Bias Voltage		+11 to +13	VDC	+11 to +13	VDC																																																																																																																																																																																																																
Discharge Time Constant		0.7 to 1.7	sec	0.7 to 1.7	sec																																																																																																																																																																																																																
ENVIRONMENTAL																																																																																																																																																																																																																					
Shock Max., ±		100	g pk	981	m/s ²																																																																																																																																																																																																																
Vibration Max., ±		60	g pk	589	m/s ²																																																																																																																																																																																																																
Operating Temperature		-60 to +250	°F	-51 to +121	°C																																																																																																																																																																																																																
Seal		Hermetic		Hermetic																																																																																																																																																																																																																	
Magnetic Sensitivity at 100 Gauss		0.00007	g/Gauss	0.0007	m/s ² /Gauss																																																																																																																																																																																																																
Base Strain Sensitivity		0.05	g/µε	0.4905	m/s ² /µε																																																																																																																																																																																																																
 																																																																																																																																																																																																																					
																																																																																																																																																																																																																					
Units on the line drawing are in inches, units in brackets are in millimeters. Refer to 127-3093D2 for more information.																																																																																																																																																																																																																					

