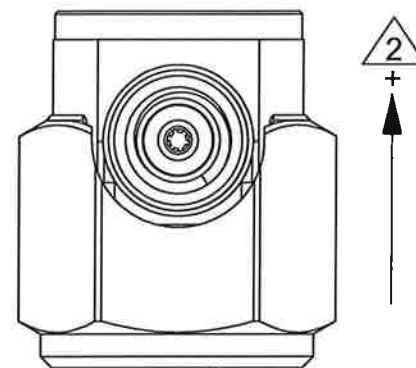
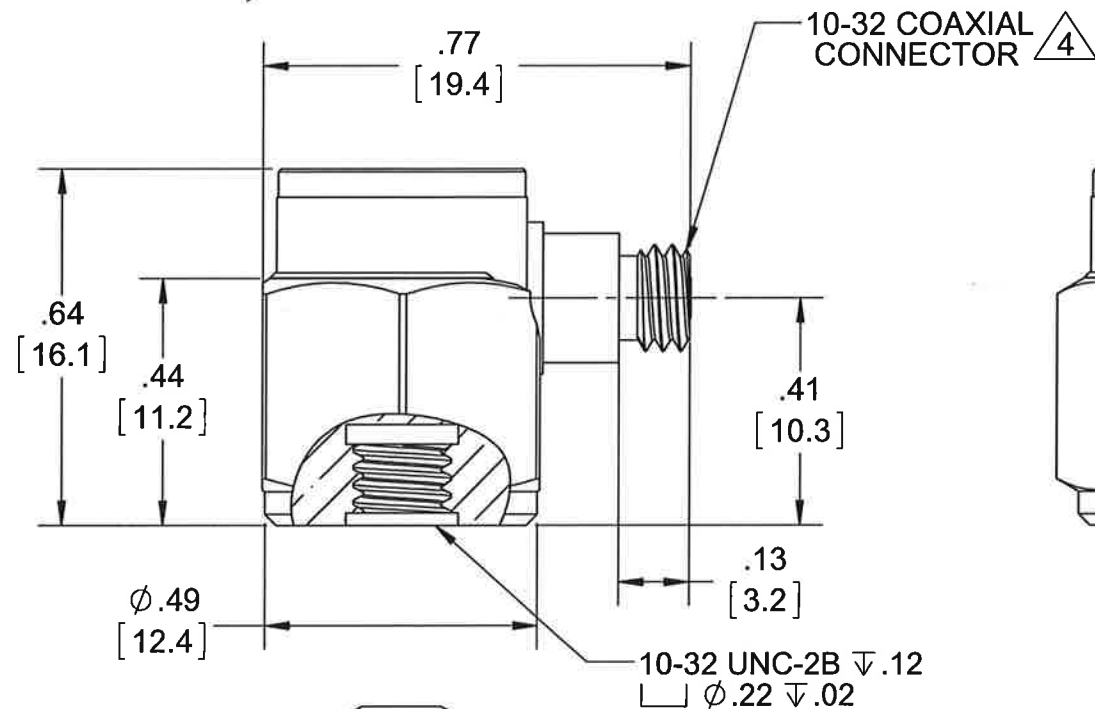
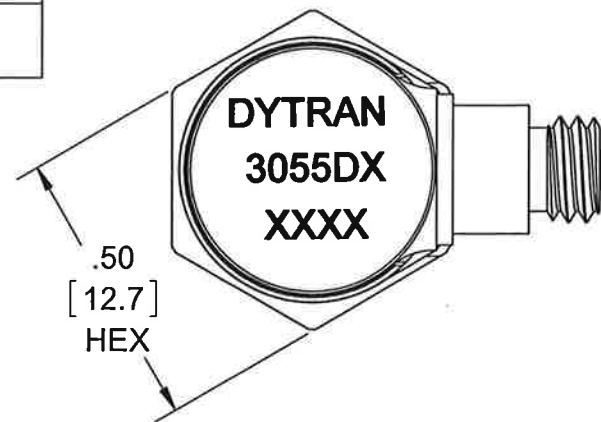


PROPRIETARY AND CONFIDENTIAL

THE INFORMATION CONTAINED IN THIS DRAWING IS THE SOLE PROPERTY OF DYTRAN INSTRUMENTS INC. ANY REPRODUCTION IN PART OR AS A WHOLE WITHOUT THE WRITTEN PERMISSION OF DYTRAN INSTRUMENTS INC. IS PROHIBITED

| REVISIONS | | | | | |
|-----------|-------|-----------------|--------------|-----|--------------------|
| REV. | ECN | DESCRIPTION | BY/DATE | CHK | APPR |
| A | 11394 | INITIAL RELEASE | RA, 11/05/14 | EM | <i>[Signature]</i> |

| MODEL | SENSITIVITY |
|--------|-------------|
| 3055D1 | 10 mV/g |
| 3055D2 | 100 mV/g |
| 3055D3 | 500 mV/g |
| 3055D4 | 50 mV/g |
| 3055D5 | 20 mV/G |
| 3055D6 | 200 mV/g |



MOUNTING SURFACE HOLE PREPARATION:
 SELECT SURFACE FLAT TO .001 TIR
 TAP 10-32 UNF-2B X .200 MIN THD DEPTH

4 MATES WITH DYTRAN 6010AXX OR 6011AXX CABLE (XX=LENGTH IS FEET)

3. WEIGHT: 10 GRAMS, MAX.

2 ARROW INDICATES ACCELERATION DIRECTION FOR POSITIVE OUTPUT.

1. MATERIAL: TITANIUM ALLOY

NOTES: UNLESS OTHERWISE SPECIFIED

UNLESS OTHERWISE SPECIFIED:
 INTERPRET DIM & TOL PER ASME Y14.5M - 1994.
 REMOVE BURRS.
 COUNTERSINK INTERNAL THDS 90° TO MAJOR DIA.
 CHAM EXT THDS 45° TO MINOR DIA.
 THD LENGTHS AND DEPTHS ARE FOR MIN FULL THDS.
 DIMENSIONS APPLY AFTER FINISHING.

UNLESS OTHERWISE SPECIFIED:
 DECIMALS TOLERANCES ARE: ANGLES ±1°
 .XX ±.01
 .XXX ±.005

| APPROVALS | | DATE |
|-----------|--------------------|----------|
| DRAWN | RA | 05/29/14 |
| DESIGN | RA | 01/23/14 |
| CHK | EM | 12/17/14 |
| APP | <i>[Signature]</i> | 12/17/14 |

ALL MACHINED SURFACES.
 TOTAL RUNOUT WITHIN .005.
 BREAK SHARP EDGES .005 TO .010.
 MACHINED FILLET RADII .005 TO .015.
 WELDING SYMBOLS PER AWS A2.4.
 ABBREVIATIONS PER MIL-STD-12.

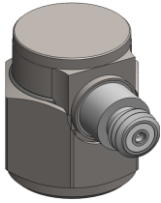
DO NOT SCALE DRAWING

DYTRAN INSTRUMENTS, INC. MASTER COPY ONLY IN RED
 Chatsworth, CA

TITLE: **OUTLINE/INSTALLATION, ACCEL, ISOLATED, 10 MV/G, SIDE 10-32 CONN**

| | | | |
|------------|-----------------|------------------|-------|
| SIZE B | CAGE CODE 2W033 | DWG NO 127-3055D | REV A |
| SCALE: 3:1 | PART NO: | SHEET 1 OF 1 | |

| | | |
|-------------------------------|-----------------------------------|----------------------------|
| Model Number 3055D4 | PERFORMANCE SPECIFICATIONS | DOC NO PS3055D4 |
| IEPE ACCELEROMETER | | REV D, ECN 12342, 11/17/15 |



- **HERMETICALLY SEALED**
- **BASE ISOLATED**
- **IDEAL LOW FREQUENCY RESPONSE**

PHYSICAL

Weight
Connector Type
Mounting Provision
Material, Housing/Connector
Sensing Element
Element Style

| ENGLISH | | SI | |
|----------------|----|----------------|-------|
| 0.35 | oz | 10 | grams |
| 10-32 | | 10-32 | |
| 10-32 X .150 ↓ | | 10-32 X .150 ↓ | |
| Titanium | | Titanium | |
| Ceramic | | Ceramic | |
| Planar Shear | | Planar Shear | |

PERFORMANCE

Sensitivity, ± 5% [1]
Range for ± 5 Volts Output
Frequency Response, ± 10%
Resonant Frequency
Broad Band Resolution
Linearity [2]
Maximum Transverse sensitivity
Strain Sensitivity @ 250µε

| | | | |
|------------|--------|------------|----------------------|
| 50 | mV/g | 5 | mV/m/s ² |
| 100 | g | 981 | m/s ² |
| 1 to 10000 | Hz | 1 to 10000 | Hz |
| > 36 | kHz | > 36 | kHz |
| 0.0010 | Grms | 0.010 | m/s ² rms |
| ± 1 | % F.S. | ± 1 | % F.S. |
| 5 | % | 5 | % |
| 0.002 | g/µε | 0.02 | m/s ² /µε |

ENVIRONMENTAL

Maximum Vibration
Maximum Shock
Temperature Range
Seal

| | | | |
|-------------|-------|------------|-----------------------|
| 500 | Gpeak | 4905 | m/s ² peak |
| 2000 | Gpeak | 19620 | m/s ² peak |
| -67 to +250 | *F | -55 to 121 | *C |
| Hermetic | | Hermetic | |

ELECTRICAL

Supply Current Range [3]
Compliance Voltage Range
Output Impedance, Typ
Bias Voltage
Discharge Time Constant
Electrical Isolation

| | | | |
|------------|--------|------------|--------|
| 2 to 20 | mA | 2 to 20 | mA |
| 18 to +30 | Volts | 18 to +30 | Volts |
| 100 | Ω | 100 | Ω |
| 11 to 13 | VDC | 11 to 13 | VDC |
| 0.5 to 1.5 | Sec | 0.5 to 1.5 | Sec |
| 10 | GΩ,min | 10 | GΩ,min |

This family also includes:

| Model | Sensitivity (mV/g) | Frequency Response, ±5 % (Hz) | Time Constant (Sec) | Operating Temp (*F) |
|--------|--------------------|-------------------------------|---------------------|---------------------|
| 3055D1 | 10 | 1 to 10000 | 0.5 to 1.5 | -67 to +250 |
| 3055D2 | 100 | 1 to 10000 | 0.5 to 1.5 | -67 to +250 |
| 3055D3 | 500 | 1 to 10000 | 0.5 to 1.5 | -67 to +225 |
| 3055D5 | 20 | 1 to 10000 | 0.5 to 1.5 | -67 to +250 |
| 3055D6 | 200 | 1 to 10000 | 0.5 to 1.5 | -67 to +225 |

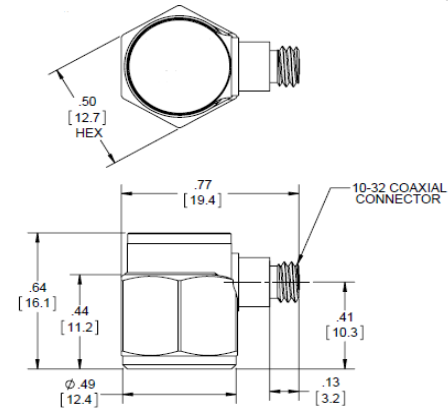
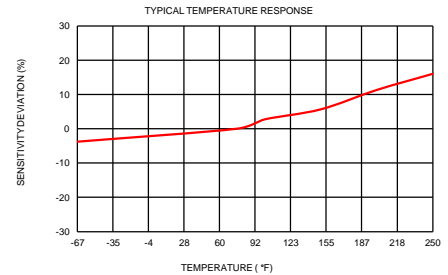
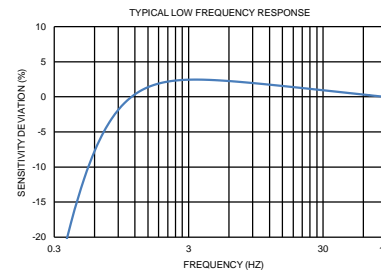
Refer to the performance specifications of the products in this family for detailed description

Supplied Accessories:

- 1) Accredited calibration certificate (ISO 17025)
- 2) Model 6200 mounting stud, qty 1

Notes:

- [1] Measured at 100Hz, 1 Grms per ISA RP 37.2.
- [2] Measure using zero-based straight line method, % of F.S. or any lesser range.
- [3] Do not apply power to this system without current limiting, 20 mA MAX. To do so will destroy the IC charge amplifier.
- [4] In the interest of constant product improvement, we reserve the right to change specifications without notice.



Units on the line drawing are in inches, units in brackets are in millimeters. Refer to 127-3055D for more information.



21592 Marilla Street, Chatsworth, California 91311 Phone: 818.700.7818 Fax:818.700.7880 www.dytran.com
For permission to reprint this content, please contact info@dytran.com