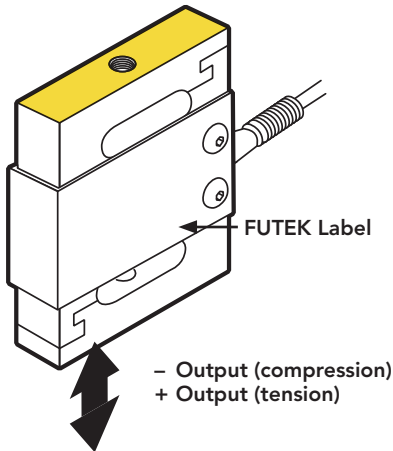




FEATURES

- Up to 10 times the overload protection
- For in line use in both tension and compression
- Notable nonlinearity
- Connector or robust cable strain relief

Active end



SPECIFICATIONS

PERFORMANCE

Nonlinearity	±0.05% of RO
Hysteresis	±0.05% of RO
Nonrepeatability	±0.05% of RO

ELECTRICAL

Rated Output (RO)	2 mV/V nom
Excitation (VDC or VAC)	20 max
Bridge Resistance	1000 Ohm nom
Insulation Resistance	≥500 MOhm @ 50 VDC
Connection	#28 AWG, 6 conductor, polyurethane cable, 5 ft [1.5 m] long. 4-Pin LEMO® connector receptacle standard
Wiring/Connector Code	CC4

MECHANICAL

Weight (approximate)	5 oz [142 g]
Safe Overload	1000% (25–100 lb) 500% (300 lb)
Material	Anodized aluminum
IP Rating	IP64

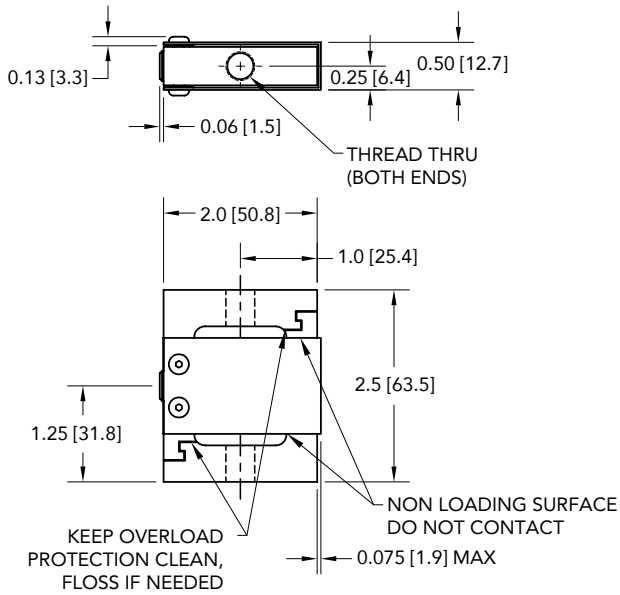
TEMPERATURE

Operating Temperature	-60 to 200°F [-50 to 93°C] (Lemo Version) -40 to 176°F [-40 to 80°C] (Cable Version)
Compensated Temperature	60 to 160°F [15 to 72°C]
Temperature Shift Zero	±0.001% of RO/°F [0.0018% of RO/°C]
Temperature Shift Span	±0.0008% of Load/°F [0.0014% of Load/°C]

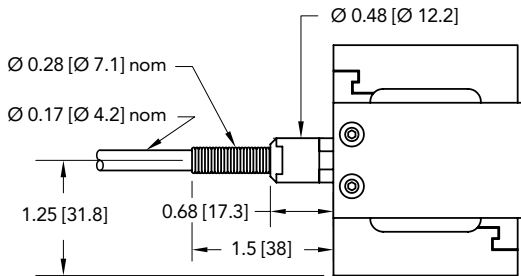
CALIBRATION

Calibration Test Excitation	10 VDC
Calibration (standard)	5-pt Tension
Calibration (available)	Compression
Shunt Calibration Value	150 kOhm

DIMENSIONS inches [mm]



#28 AWG, 6 CONDUCTOR POLYURETHANE CABLE (5FT) OPTION



WIRING CODE (WC4)

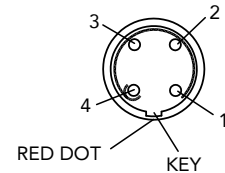
RED	+ EXCITATION
BLACK	- EXCITATION
GREEN	+ SIGNAL
WHITE	- SIGNAL
ORANGE	+ SENSE
BLUE	- SENSE
SHIELD	GROUND

CAPACITIES

ITEM #	lb	N	Thread	Natural Frequency (Hz)	Deflection (in.)	Connector	
						LEMO®	Cable
FSH01019	25	111	1/4-28	750	0.004	X	
FSH02080						X	
FSH01020							
FSH02085			M6 x 1				X
FSH01476	50	222	1/4-28	800	0.007	X	
FSH02081						X	
FSH01022							
FSH02086			M6 x 1				X
FSH01023	100	445	1/4-28	1100	0.008	X	
FSH02082						X	
FSH01024							
FSH02087							
FSH01027	300	1334	1/4-28	1600	0.01	X	
FSH02084						X	
FSH01028							
FSH02089							

CONNECTOR CODE (CC4)

PIN	WIRING CODE
1	+ EXCITATION/RED
4	- EXCITATION/BLACK
2	+ SIGNAL/GREEN
3	- SIGNAL/WHITE



Drawing Number: FI1075-B

FUTEK reserves the right to modify its design and specifications without notice. Please visit www.futek.com/salesterms for complete terms and conditions.

10 Thomas, Irvine, CA 92618 USA

Tel: (949) 465-0900

Fax: (949) 465-0905

www.futek.com



U.S. Manufacturer